

# Noiseless Marine Diesel Generator

## Dometic Blutec 40D

Compact noiseless Marine 3.5-kW diesel generator for 230 volts alternating current. The BLUTEK 40D uses a heavy duty YANMAR diesel engine which assures many years of reliable operation. It is equipped with a noise-insulated stainless steel housing and has two openings which provides easy access for service, like oil and air filter change. By the use of a smart mechanical gear, the intergrated water pump operates at low rpm. The genrator includes a remote control, illuminated digital display which visualises all important operating parameters.



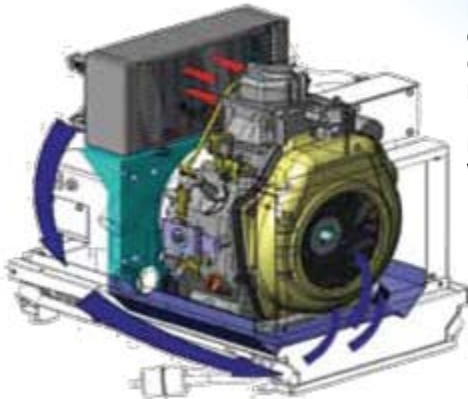
**Key advantages:**

- 3.5KW continuous output.
- Pure sine wave voltage - suitable for sensitive electrical appliances.
- Parallel use of two BLUTEK 40D units possible.
- Additional output for charging the starter battery.
- Low weight, small footprint.
- Robust design in stainless steel housing.
- Low noise level (54 db).
- Comfortable remote control.
- Illuminated digital display visualises all important operating parameters.
- High operating safety with intergtated alarm functions.

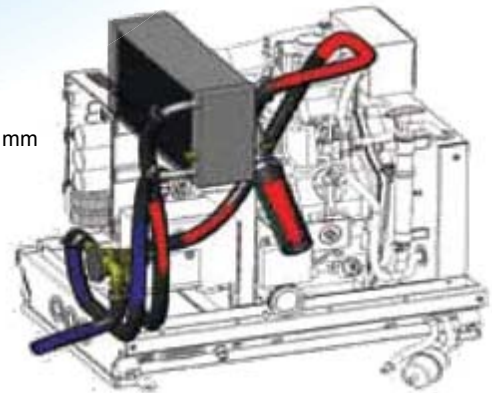


**Specifications:**

Output voltage: 230 volts AC/50 Hz  
 Continuous power: 3500 watts  
 Peak output: 4000 watts  
 Engine output: 4.5 kW (6.1 HP)  
 Operating mode/fuel: Diesel  
 Consumption: 1.3 l/h  
 Noise level: 54 db (A)  
 Insulation class: H  
 Dimensions (WxHxD): 570 x 528 x 406 mm  
 Weight: 85 kg



Air cooling circuit



Water cooling circuit



**Installation Kit 9102900035**

Installation kit for fitting the unit below or above the waterline