

v150NX Ka

1.5M WIDEBAND KA-BAND
Maritime VSAT Terminal



FEATURES

2.5GHZ WIDEBAND KA-BAND READY

Ka-band becomes the next choice for new satellite capacity as the demand for bandwidth increases. The v150NX Ka has a full range optimized reflector and radome supporting high speed Ka-band services covering the full range of Ka-band commercial satellites.

GEO/MEO/LEO TRACKING CAPABILITY

The v150NX Ka is ready for the future, powered with the world's most accurate satellite tracking performance with proven tracking algorithms for both GSO and NGSO orbits.

SUITABLE SOLUTION FOR HIGH THROUGHPUT

High availability and excellent transmission speed provided by remarkably efficient RF design. The v150NX Ka offers connectivity flexibility to better suit high demand applications. For high throughput, the v150NX Ka is designed to integrate a wideband Ka-band BUC up to 100W.

APPLICABLE AS A GATEWAY TERMINAL FOR NGSO CONSTELLATIONS

The v150NX Ka antennas have tremendous pointing accuracy, with no backlash. Making them an ideal solution for small or mobile gateway antennas for future LEO constellations

v150NX Ka 1.5m Wideband Ka-band VSAT Terminal

TECHNICAL SPECIFICATIONS

ABOVE DECK UNIT

Radome Height	197.0 cm / 77.6"
Radome Height with A/C Frame	262.2 cm / 103.2"
Radome Diameter	190.0 cm / 74.8"
Reflector Diameter	150.0 cm / 59.0"
Weight	260 kg
Weight with A/C Frame	510 kg
Platform	3-axis / Azimuth, Elevation, Cross-level
Azimuth Range	Unlimited
Elevation Range	-15° to +110°
Cross-level Range	Up to ± 35°
Stabilization Accuracy	0.2° peak mis-pointing @ max ship motion condition
Motor Brake System	Dynamic Motor Brake
Tx Frequency	29.0 ~ 30.0 GHz Ka-band
Tx Gain	50.3 dBi @ 29.5 GHz
Rx Frequency	17.7 ~ 20.2 GHz Ka-band
Rx Gain	47.0 dBi @ 19.2GHz
G/T	23.5 dB/K @ 19.2GHz (Clear Sky, 30° Elevation)
BUC Power	25W, 50W, 100W
LNB	Intellian Universal Ka-band LNB
Polarization	Circular (RHCP & LHCP), Dual-Pol.
Antenna Cable	Single 50 ohm coax cable for Rx, Tx, FSK and Power from ACU to ADU

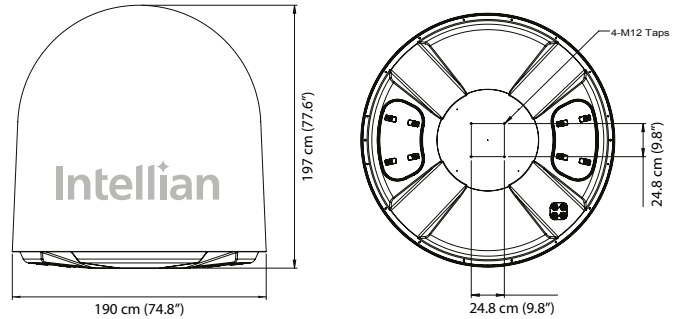
ANTENNA CONTROL UNIT

Dimension (WxDxH)	43.1 cm x 35.0 cm x 4.4 cm / 17" x 13.8" x 1.7"
Weight	5.2 kg / 11.5 lbs
Display	256 x 64 Graphic OLED
Gyrocompass Interface	NMEA2000 / NMEA0183
Mediator Interface	Yes (Embedded in ACU, Primary / Secondary control on AptusNX)
Modem Interface	Ethernet port / RS-232C, -422C / I/O Console
Modem Protocol	iDirect, Comtech, SatLink, Hughes, GILAT, Newtec
Remote Management	Yes
Wi-Fi Operation	Yes (w/ Wi-Fi Dongle)
Management Port	Yes
Intellian LAN Port	Yes
Power Requirement	100~240 V AC, 50~60 Hz, 4A

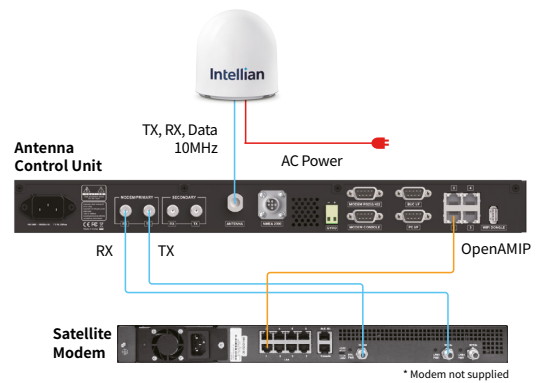
Global HQ

SYSTEM DIMENSION

ADU



SYSTEM DIAGRAM



SYSTEM DIAGRAM (DUAL ANTENNA)

