



MARINE RADARS

MR-1200RII

(12.1-inch TFT, 4kW Radome Scanner)

MR-1200TII

(12.1-inch TFT, 4kW Open Array Scanner)

MR-1200TIII

(12.1-inch TFT, 6kW Open Array Scanner)

Easy-to-See Large 12.1-inch TFT Display Assists Your Safe Navigation

• Three Types of Scanner Units

MR-1200RII : 36NM range, 4kW radome scanner

MR-1200TII : 48NM range, 4kW open array scanner

MR-1200TIII: 72NM range, 6kW open array scanner



2-foot (60cm) radome scanner
for MR-1200RII



4-foot (120cm) open array scanner
for MR-1200TII/TIII

- 12.1-inch Large TFT Display (600x800 dots)
Slim Depth (119.2mm) and Light Weight (4.3kg)
- AIS Overlay Function (AIS data required separately)
- Simplified ATA (Automatic Tracking Aid) Function
- English and Korean Indication
- Improved STC and Sidelobe for Small Target Detection



Selectable Green or Red Rader Image



Green



Red

OTHER FEATURES

- The MR-1200RII/TII/TIII provides many useful features : 2 EBL's, 2 VRM's, sea clutter, rain clutter, off center, interference reduction, echo stretch, zoom, trail, long pulse and automatic tuning calibration function.
- If a crew member falls overboard, mark the MOB (man overboard) point on the display. The man overboard marker keeps the position on the display and shows the bearing, distance and estimated time to the MOB point*.
- * External bearing, speed and position data are required.
- When used with an external AIS data, the position and course information of the other vessels are overlaid on the radar image. Detail of the selected AIS target vessel information is displayed on the bottom of the display.
- Simplified ATA (Automatic Tracking Aid) allows you to plot up to 10 targets and the radar automatically tracks the targets.
- The CPA (Closest Point Approach) and TCPA (Time to CPA) alarm gives an audible warning when the tracking targets come within the set range or time.

SPECIFICATIONS

DISPLAY UNIT	
• Display type	: 12.1-inch TFT LCD
• Resolution	: 600x800 dots
• Minimum range	: 25m (at 1/8 NM range)
• Maximum range	:
MR-1200RII	36NM
MR-1200TII	48NM
MR-1200TIII	72NM
• Range scales (NM)	:
	1/8, 1/4, 1/2, 3/4, 1, 1.5, 2, 3, 4, 6, 8, 12, 16, 24, 32, 36, 48 ¹ , 64 ² , 72 ²
	(*1 MR-1200TII/TIII only *2 MR-1200TIII only)
• Preheat time	: 90 seconds
• Power supply	: 10.2-42V DC
• Power consumption	:
(at zero wind velocity)	
MR-1200RII	60W (approx.)
MR-1200TII	70W (approx.)
MR-1200TIII	80W (approx.)
• Usable Temp. range	: -15°C to +55°C; +5°F to +131°F
• Input data format	: NMEA 0183, N+1, AUX
• Output data format	: NMEA 0183

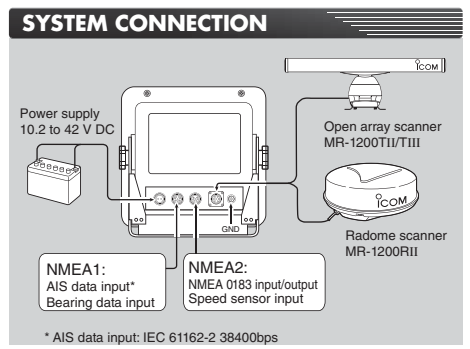
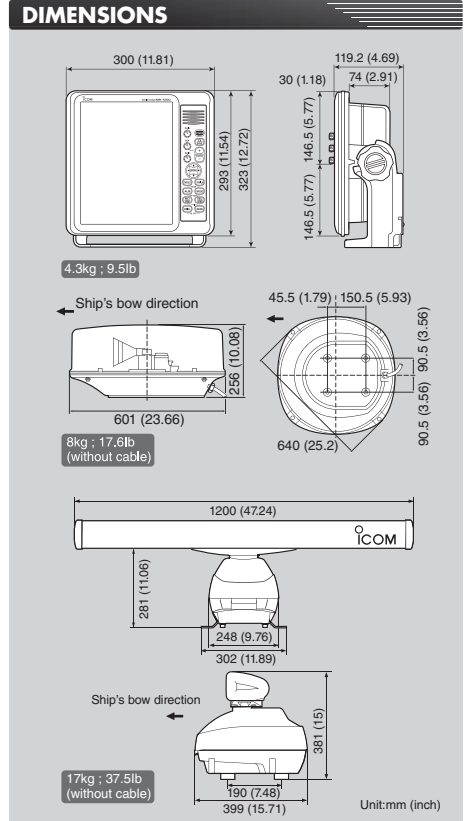
SCANNER UNIT		
• Model Name	: MR-1200RII	MR-1200TII/MR-1200TIII
• Type	: 2ft (60cm) radome scanner	4ft (120cm) open array scanner
• Rotation speed	: 24, 36rpm typ.	22°, 24, 36rpm typ. * MR-1200TIII only
• Beamwidth	Horizontal beam : 4° typ.	2° typ.
	Vertical beam : 22° typ.	25° typ.
• Sidelobe	: -22dB typ.	-24dB typ.
• Usable Temp. range	: -25°C to +70°C; -13°F to +158°F	-25°C to +70°C; -13°F to +158°F
• Usable humidity range	: Less than 95% (at 40°C)	Less than 95% (at 40°C)
• Frequency	: 9410MHz ±30MHz	9410MHz ±30MHz
• Modulation	: P0N	P0N
• Peak output power	: 4kW	4kW (MR-1200TII), 6kW (MR-1200TIII)
• Pulse-width/ repetition rate	: 80nS/2160Hz, 80nS/1440Hz, 250nS/1440Hz, 350nS/1440Hz, 350nS/720Hz, 900nS/720Hz	80nS/2160Hz, 80nS/1440Hz, 250nS/1440Hz, 350nS/1440Hz, 350nS/720Hz, 900nS/720Hz, 900nS/660Hz* (* MR-1200TIII only)
• Modulator	: FET switching	FET switching
• Intermediate frequency	: 60MHz	60MHz
• IF bandwidth	: 10MHz, 3MHz	10MHz, 3MHz
• Tuning	: Auto/manual selectable	Auto/manual selectable
• Supplied system cable	: 15m; 49.2ft; OPC-1188A	20m; 65.6ft; OPC-1189A

All stated specifications are subject to change without notice or obligation.

OPTIONS



- **OPC-1077A** 20m (65.6ft) SYSTEM CABLE
- **OPC-1078A** 30m (98.4ft) SYSTEM CABLE



Icom, Icom Inc. and the Icom logo are registered trademarks of Icom Incorporated (Japan) in the United States, the United Kingdom, Germany, France, Spain, Russia, Japan and/or other countries.

Icom Inc. 1-1-32, Kami-minami, Hirano-ku, Osaka 547-0003, Japan Phone: +81 (06) 6793 5302 Fax: +81 (06) 6793 0013 www.icom.co.jp/world **Count on us!**

Icom America Inc.

2380 116th Avenue NE, Bellevue, WA 98004, U.S.A.
Phone: +1 (425) 454-8155
Fax: +1 (425) 454-1509
E-mail: sales@icomamerica.com
URL: http://www.icomamerica.com

Icom (Europe) GmbH

Communication Equipment
Auf der Krautweide 24
65812 Bad Soden am Taunus, Germany
Phone: +49 (6196) 76685-0
Fax: +49 (6196) 76685-50
E-mail: info@icom-europe.com
URL: http://www.icom-europe.com

Icom (UK) Ltd.

Blacksole House, Altira Park,
Herne Bay, Kent, CT6 6GZ, U.K.
Phone: +44 (0) 1227 741741
Fax: +44 (0) 1227 741742
E-mail: info@icomuk.co.uk
URL: http://www.icomuk.co.uk

Icom New Zealand

146A Harris Road, East Tamaki,
Auckland, New Zealand
Phone: +64 (09) 274 4062
Fax: +64 (09) 274 4708
E-mail: inquiries@icom.co.nz
URL: http://www.icom.co.nz

Your local distributor/dealer:

Icom Canada

Glenwood Centre #150-6165 Highway 17,
Delta, B.C., V4K 5B8, Canada
Phone: +1 (604) 952-4266
Fax: +1 (604) 952-0090
E-mail: info@icomcanada.com
URL: http://www.icomcanada.com

Icom Spain S.L.

Ctra. Rubi, No. 88 "Edificio Can Castanyer"
Bajos A 08174, Sant Cugat del Valles,
Barcelona, Spain
Phone: +34 (93) 590 26 70
Fax: +34 (93) 589 04 46
E-mail: icom@icomspain.com
URL: http://www.icomspain.com

Icom France s.a.s.

Zac de la Plaine,
1 Rue Brindjonnec des Moulains, BP 45804,
31505 Toulouse Cedex 5, France
Phone: +33 (5) 61 36 03 03
Fax: +33 (5) 61 36 03 00
E-mail: icom@icom-france.com
URL: http://www.icom-france.com

Asia Icom Inc.

6F No. 68, Sec. 1 Cheng-Teh Road,
Taipei, Taiwan, R.O.C.
Phone: +886 (02) 2559 1899
Fax: +886 (02) 2559 1874
E-mail: sales@asia-icom.com
URL: http://www.asia-icom.com

Icom Brazil

Rua Itororó, 444 Padre Eustáquio
Belo Horizonte MG,
CEP: 30130-150, Brazil
Phone: +55 (31) 3582 8847
Fax: +55 (31) 3582 8987
E-mail: sales@icombrasil.com

Icom Polska Sp. z o.o.

80-286 Gdansk, Jaskowa Dolina St. 75, Poland
Phone: +48 (58) 551 0484
Fax: +48 (58) 551 4720
E-mail: icompolska@icompolska.com.pl
URL: http://www.icompolska.com.pl

Icom (Australia) Pty. Ltd.

Unit 1 / 103 Garden Road,
Clayton, VIC 3168 Australia
Phone: +61 (03) 9549 7500
Fax: +61 (03) 9549 7505
E-mail: sales@icom.net.au
URL: http://www.icom.net.au