



VHF MARINE TRANSCEIVER

IC-M304

Submersible compact body with large LCD and powerful audio



FORCE5 AUDIO™

Submersible
1m depth for 30 minutes

Compact and submersible

Equivalent to IPX7 (1m depth for 30 minutes, except cables).

Large easy-to-see LCD

Shows full size channel number with 4-step backlighting.

Built-in DSC

For distress calls, or for position request/position report.

New Force5Audio™ speaker

Delivers impressive audio output with powerful bass.

Favorite channel function

Offers quick channel selection from the microphone up/down buttons.

AquaQuake draining function

The vibrating "buzz" sound clears water away from the speaker grill.

Weather channel with weather alert

Listen for important weather broadcasts.

Dualwatch and Tri-watch functions

Monitors Ch.16 and/or call channel, while using another channel.

SPECIFICATIONS

GENERAL

- Frequency range : Tx 156.025–157.425MHz
Rx 156.050–163.275MHz
- Usable channels : USA, CAN, INT, WX channels
- Type of emission : 16K0G3E, 16K0G2B
- Power supply : 13.8V DC \pm 15%
- Current drain : Tx 5.5A (at 25W output) (at 13.8V DC)
Rx 1.5A (at AF max.)
- Operating temperature range: -20°C to $+60^{\circ}\text{C}$; -4°F to $+140^{\circ}\text{F}$
- Antenna impedance: 50 Ω (SO-239)
- Dimensions (WxHxD, projections not included) : 153x67x133mm ; 6 $\frac{1}{32}$ x2 $\frac{7}{8}$ x5 $\frac{1}{4}$ in.
- Weight (approx.) : 825g; 1.8lb
- NMEA formats : NMEA version 2.0 or 3.01 RMC, GGA, GNS, GLL

Measurements made in accordance with TIA/EIA 603. All stated specifications are subject to change without notice or obligation.

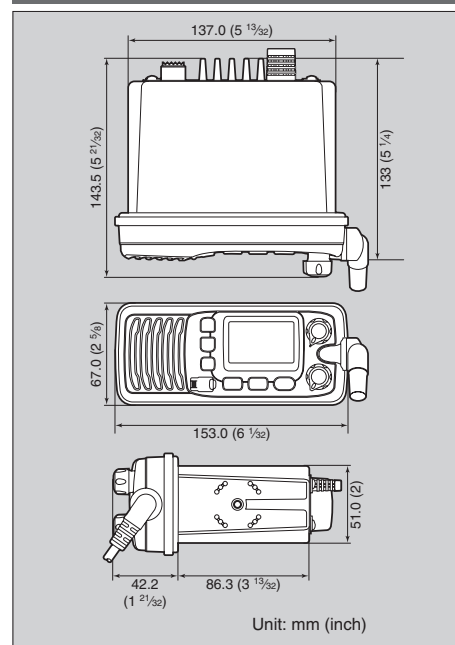
TRANSMITTER

- Output power : 25W or 1W (at 13.8V DC)
- Modulation system : Variable reactance frequency modulation
- Max. freq. deviation : \pm 5kHz
- Frequency error : \pm 10ppm
- Spurious emissions: Less than -70dBc (at 25W)
- Adj. channel power : More than 70dB
- Audio harmonic distortion : Less than 10% (at 60% dev.)
- Residual modulation: More than 40dB

RECEIVER

- Intermediate freq. : 1st 21.7MHz, 2nd 450kHz
- Sensitivity : 0.22 μV typical at 12dB SINAD
- Squelch sensitivity: Less than 0.22 μV
- Adj. Ch. selectivity : More than 70dB
- Spurious response: More than 70dB
- Intermodulation : More than 70dB
- Hum and noise : More than 40dB
- Audio output power : 4.5W typical at 10% distortion with a 4 Ω load

DIMENSIONS



OPTIONS

- **HM-164B/164SW/164G** HAND MICROPHONE
Black, super white and gray are available.
Same as supplied.

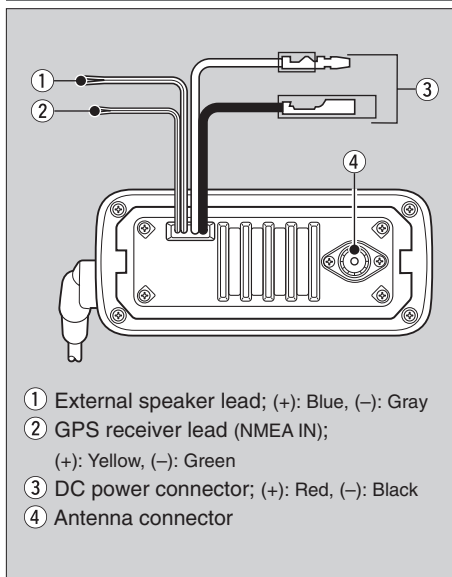
- **MB-69**
FLUSH MOUNT KIT
For flush-mounting the IC-M304 to a flat surface such as an instrument control panel.



- **MB-92** DUST COVER
Protects the IC-M304 from dust and strong sunlight when the radio is not in use.



REAR PANEL CONNECTIONS



Color versions:

- Black
- Super white
- Gray

Supplied accessories:

- Hand microphone
- DC power cable
- Mounting bracket kit

FORCE5AUDIO logo is a registered trademark of Icom Inc. (Japan) in the United States.

Icom Inc. 1-1-32, Kami-minami, Hirano-ku, Osaka 547-0003, Japan Phone: +81 (06) 6793 5302 Fax: +81 (06) 6793 0013 URL: <http://www.icom.co.jp/world/index.html>

Count on us!

Icom America Inc.

2380 116th Avenue NE,
Bellevue, WA 98004, U.S.A.
Phone: +1 (425) 454-8155
Fax: +1 (425) 454-1509
E-mail: sales@icomamerica.com
URL: <http://www.icomamerica.com>

Icom New Zealand

146A Harris Road, East Tamaki,
Auckland, New Zealand
Phone: +64 (09) 274 4062
Fax: +64 (09) 274 4708
E-mail: inquiries@icom.co.nz
URL: <http://www.icom.co.nz>

Icom (UK) Ltd.

Unit 9, Sea St., Herne Bay,
Kent, CT6 8LD, U.K.
Phone: +44 (0)1227 741741
Fax: +44 (0)1227 741742
E-mail: info@icomuk.co.uk
URL: <http://www.icomuk.co.uk>

Asia Icom Inc.

6F No. 68, Sec. 1 Cheng-Teh Road,
Taipei, Taiwan, R.O.C.
Phone: +886 (02) 2559 1899
Fax: +886 (02) 2559 1874
E-mail: sales@asia-icom.com
URL: <http://www.asia-icom.com>

Your local distributor/dealer:

Icom Canada

Glenwood Centre #150-6165 Highway 17,
Delta, B.C., V4K 5B8, Canada
Phone: +1 (604) 952-4266
Fax: +1 (604) 952-0090
E-mail: info@icomcanada.com
URL: <http://www.icomcanada.com>

Icom (Europe) GmbH

Communication Equipment
Himmelgeister Str. 100,
D-40225 Düsseldorf, Germany
Phone: +49 (0211) 346047
Fax: +49 (0211) 333639
E-mail: info@icomeurope.com
URL: <http://www.icomeurope.com>

Icom France s.a.s.

Zac de la Plaine,
1 Rue Brindejonn des Moulinais, BP 45804,
31505 Toulouse Cedex 5, France
Phone: +33 (5) 61 36 03 03
Fax: +33 (5) 61 36 03 00
E-mail: icom@icom-france.com
URL: <http://www.icom-france.com>

Icom (Australia) Pty. Ltd.

Unit 1 / 103 Garden Road,
Clayton VIC 3168 Australia
Phone: +61 (03) 9549 7500
Fax: +61 (03) 9549 7505
E-mail: sales@icom.net.au
URL: <http://www.icom.net.au>

Icom Spain S.L.

Ctra. Rubi, No. 88 "Edificio Can Castanyer"
08190, Sant Cugat del Valles, Barcelona, Spain
Phone: +34 (93) 590 26 70
Fax: +34 (93) 589 04 46
E-mail: icom@icomspain.com
URL: <http://www.icomspain.com>

Icom Polska

Sopot, 3 maja 54, Poland
Phone: +48 (58) 550 7135
Fax: +48 (58) 551 0484
E-mail: icompolska@icompolska.com.pl
URL: <http://www.icompolska.com.pl>

Посмотреть товар
в Интернет-магазине seacom.ru