



ALPHACOURSE B

BEARING REPEATER



Alphatron Marine is Importer, Developer and Manufacturer of state of the art navigation, communication and control equipment for the Maritime market. Alphatron Marine is also supplier of communication, IT and entertainment equipment for maritime and land applications. Our knowledge and experience will result in a suitable solution for your specific query. After the installation you can trust on a dedicated service team. 24/7 all over the world...

The Alphacourse B is a Bearing Repeater type for the Alphaminicourse gyro compass from the Alphaline Series. The repeater has an analogue display for the indication of the heading display provided from the gyro compass. The display is divided into a 360 deg/round outer scale and a 10deg/round inner scale. It's a Bearing Repeater MED type approved system, connectable to a NMEA serial signal via junction box MKN015.

The Alphacourse B is Wheelmark approved.



ALPHATRON
Alphatron Marine BV





ALPHACOURSE B

BEARING REPEATER

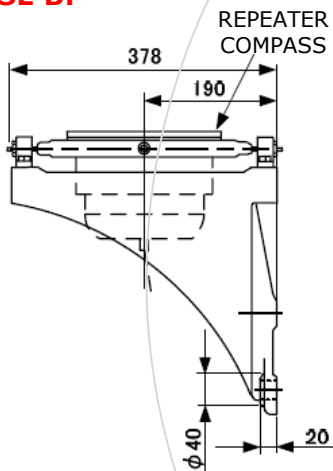
JUNCTION BOX ALPHACOURSE B:

This junction box is made built-in with the drive circuit of the compass motor. With this we succeeded in minimizing the radiated interference (EMI) which may cause malfunction to surrounding equipment. The noise level passed the standards of IEC60945.



- FAIL INDICATOR (**red**); is lit or blinks when an error is detected.
- RUN INDICATOR LAMP (**green**); Blinks when zero adjustment is being carried out.
- ZERO ADJUSTMENT SWITCH; Used when a shift in the value is indicated by the repeater compass
- DIMMER CONTROL; Adjusts the illumination of the compass card and run indicator lamps.
- GLAND / CONNECTOR; Connection to compass.
- GLAND; Connection to Master compass or control box.

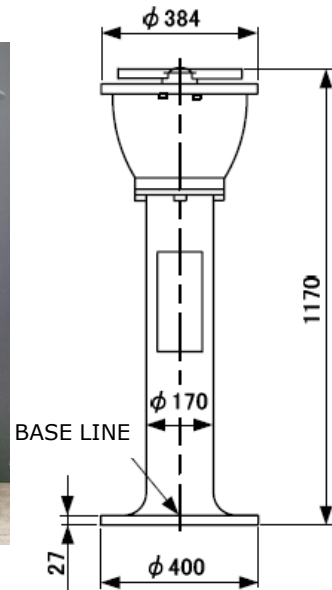
BRACKET ALPHACOURSE B:



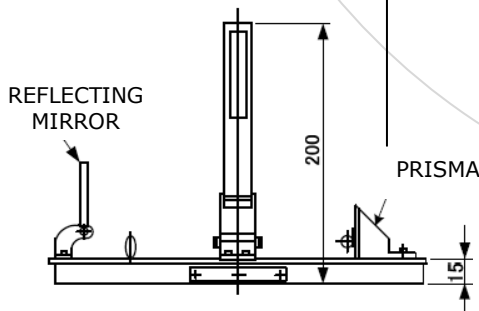
For wall mounting of the Alphacourse B a horizontal bracket is available.

PEDESTAL ALPHACOURSE B:

To mount the bearing repeater free standing also a pedestal is available.



AZIMUTH CIRCLE ALPHACOURSE B:



The Azimuth circle measures the fixed error of the gyrocompass. To observe a bearing, the observer looks through the peep vane toward the object to be observed or "shot". The ring is then rotated until the object appears beyond the vertical wire of the opposite "far" vane. The true bearings appear on the compass card above the relative bearings.