

navico

Product Brief for:

## *AP24 Helm Drive Kit*

*Autopilot pack for cable steer  
outboard engines.*

March 2013

Rev 1.0

**LOWRANCE®**

**SIMRAD**

**B&G**

# AP24 Helm Drive Kit – Key selling features

The AP24 Helm Drive Kit contains everything you need to equip a cable steered boat with an autopilot. The kit contains:

**Type-S Helm Drive unit** – Easy to retrofit (uses existing Morse and Teleflex steering cables)

**AP24 display** – high contrast display, easy to read with dedicated buttons for autopilot control

**FC40 Compass** – Accurate fluxgate compass sensor

**AC12 Autopilot Computer** – featuring dedicated fishing turn patterns as well as optional interfacing to MFDs to use Steer-to-Waypoint (Nav) mode.

**Simnet cabling** – Quick and simple network installation. Allows interfacing to Simrad MFDs and other devices.



# Type-S Helm Drive

## UNIQUE AUTOPILOT DRIVE FOR CABLE STEERED BOATS

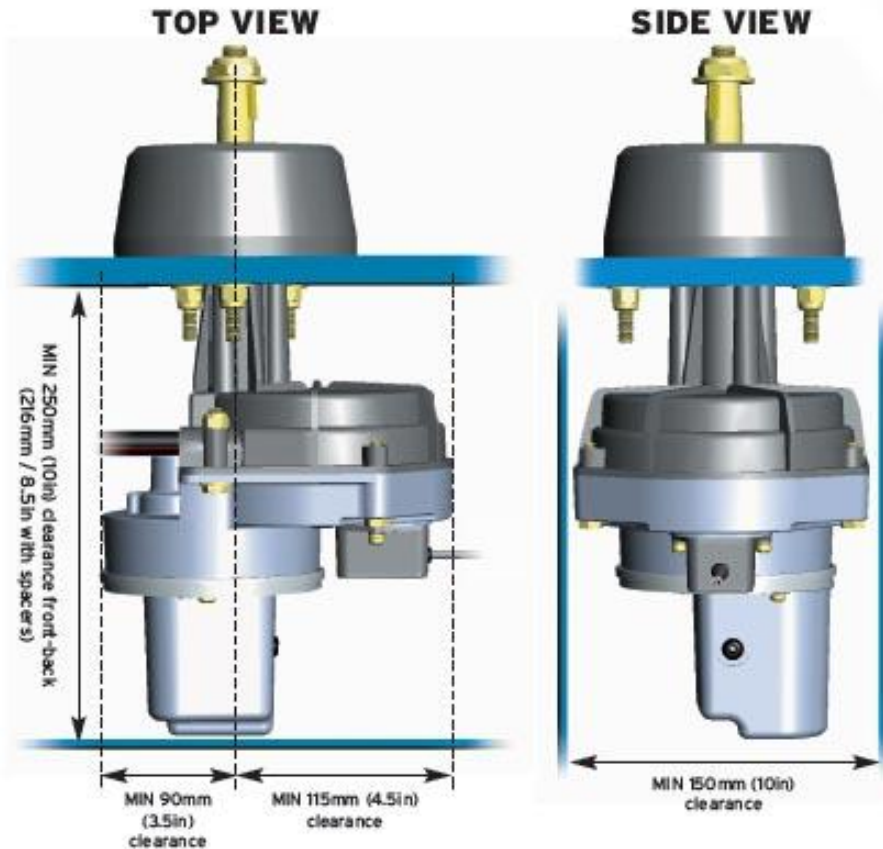
The Type S straight shaft drive is a revolutionary autopilot drive unit which replaces the manual drive used on cable steered boats and is mounted directly behind the dash.

The drive is directly compatible with the Morse 290 steering helm but comes with its own bezel kit and can be retrofitted in most installations using the cable and steering wheel already on the boat.



The Helm Drive is compatible with Morse 304411 and Teleflex SSC52 steering cables. If the boat has rack and pinion steering then the cable must be replaced with one of the above.

# Type-S Helm Drive details

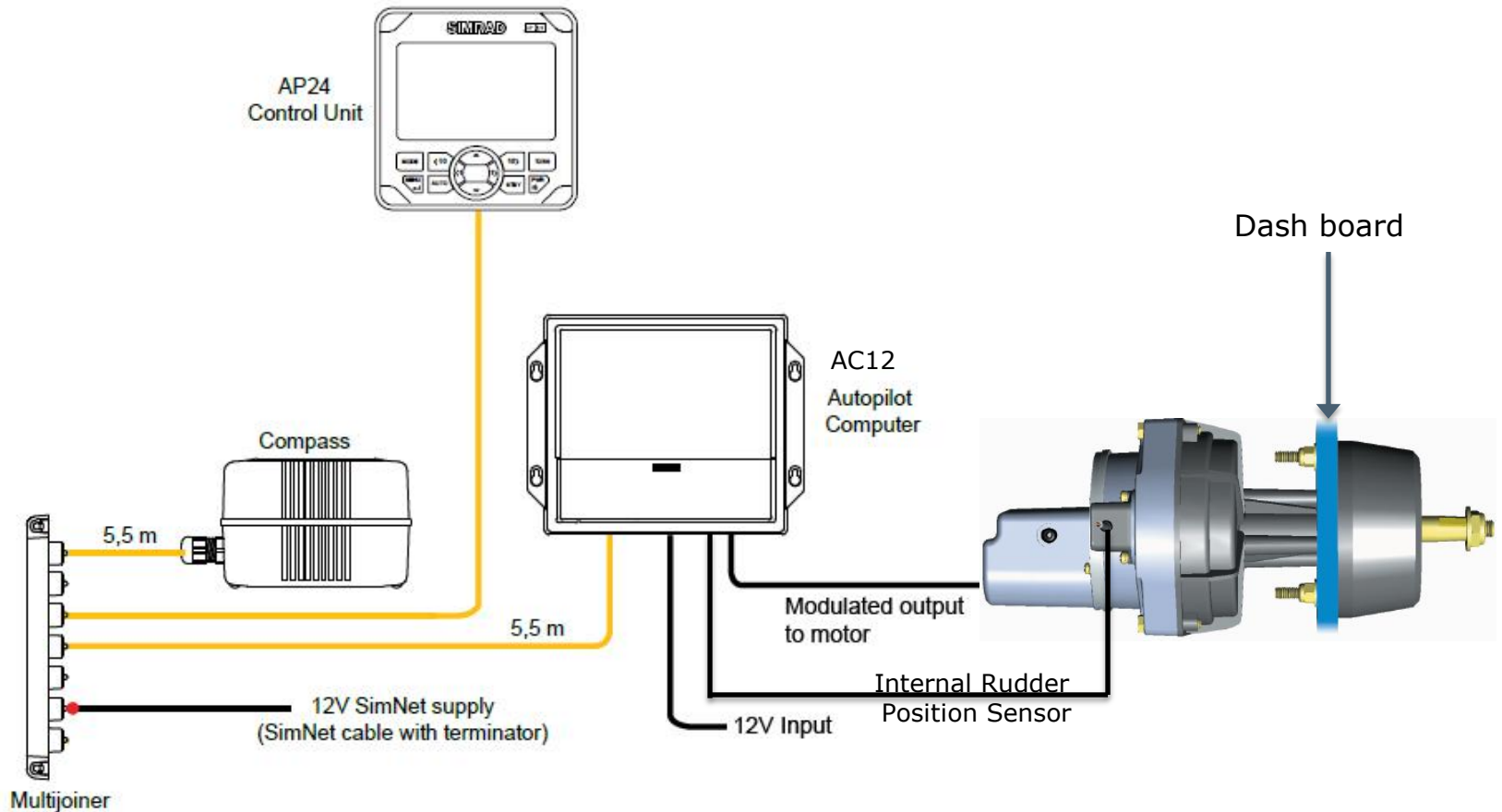


## SPACE REQUIRED

The depth required behind the dashboard for the drive will vary slightly depending upon the drive type and mounting style used, but all require around 10in (250mm) clearance.

Ensure there is adequate space available to accommodate the drive. If sufficient depth is not available it may be possible to re-route wiring harnesses or move components etc. Additional clearance can also be gained using spacers.

# AP24 Helm Drive Kit (000-10908-001)



# What's in the box?

Part no	Description
<b>000-10908-001</b>	<b>AP24 HELM DRIVE KIT W/TYPE S DRIVE</b>
Comprises:	
000-10907-001	TYPE S, STRAIGHT SHAFT, HELM DRIVE
22096267	AP24 Control Unit w/accessories
22090187	FC40 Fluxgate Compass w/5M SimNet Cable
22097083	AC12 Computer w/15M SimNet Cable
24005845	SIMNET CABLE 5M (16')
24006298	SimNet 7 Prong Multi-Joiner
24005894	SIMNET TERMINATION PLUG
24005902	SIMNET PWR W/TERMIN. 2M (6.6')

**LOWRANCE®**

**SIMRAD**

***B&G***