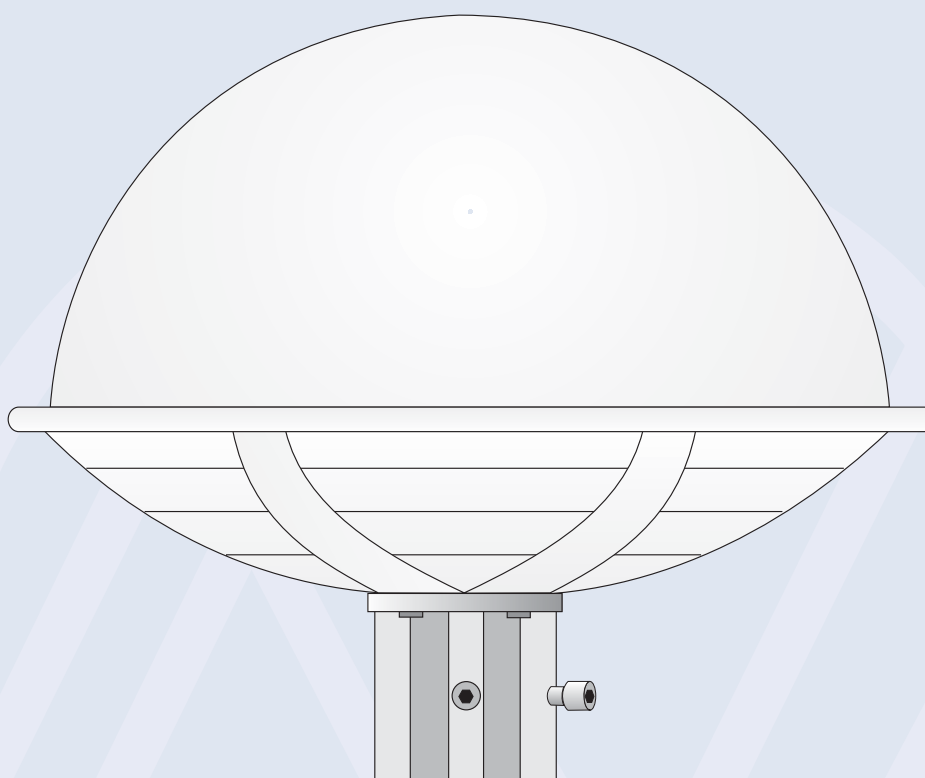


# Mark 30ALC / 32ALC

## Installation manual



The Naval antennas is a range of omni-directional wide band antennas for maritime purposes. It is based on a construction of loop antennas coupled to band amplifiers with ALC (automatic level control). The antennas has a very high dynamic range. The antennas are made of ABS plastic and filled with polyurethane foam. Mounting base in saltwater proof special alloy and bolts in stainless acid proof steel.

The antennas is tested by "Det Norske Veritas" for the same approval as for radar equipment.

The advantages of a Mark antenna compared to a Yagi antenna system are:

- ALC Automatic level control.
- Rigid, non-corrodible, maintenance free construction.
- Small dimensions and easy to mount.
- Omni-directional, no adjustments.
- Replaceable amplifier.
- Integrated wavetraps VHF/AIS.

*Since 1971, the objective of Naval Electronics has been to offer the best possible products for TV and Radio reception at sea. Naval began with omnidirectional antennas and is the world leader in this field of technology today. Now, with an expanded product range, the name Naval means much more than antennas. Naval operates in more than 40 countries and has installations on thousands of vessels all over the world.*

*All specifications stated are subject to change without notice.*



Marine Broadband Communication

Naval Electronics AB

Höjrodergatan 18, SE-212 39 Malmö, Sweden

Tel. +46(0)40-29 20 45. Fax +46(0)40-18 74 13

E-mail: sales@naval.se www.naval.se



## Installation information

Please keep this manual in the amplifier cabinet or by the Radio Officer

For Service contact

Name \_\_\_\_\_

Address \_\_\_\_\_  
\_\_\_\_\_

Tel: \_\_\_\_\_ Fax: \_\_\_\_\_ Email: \_\_\_\_\_

**Antenna installed in this system**

**NOTICE:** Initial box after installation

Mark 30ALC

Mark 32ALC

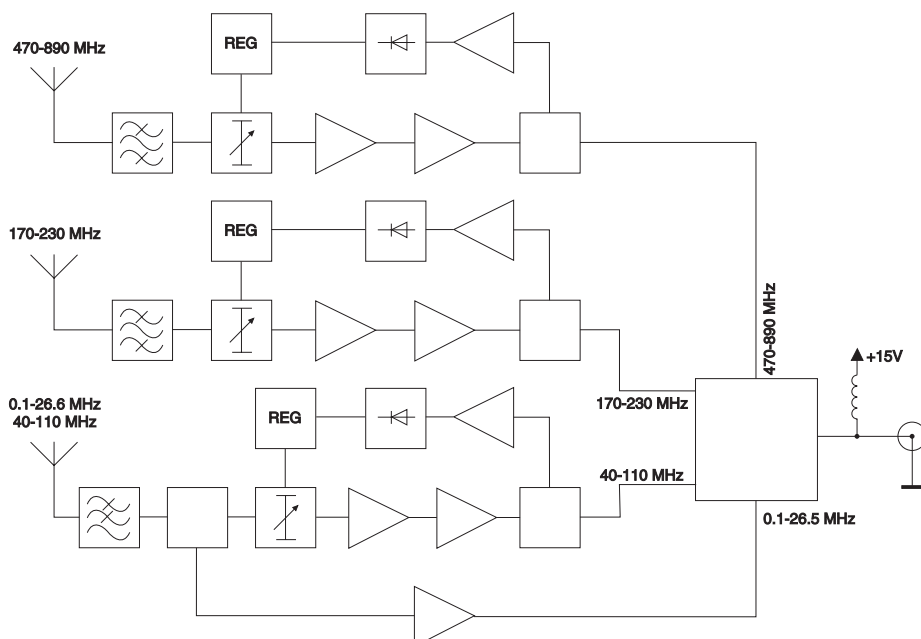
Installers signature: \_\_\_\_\_

Date: \_\_\_\_\_

Ships name: \_\_\_\_\_  
\_\_\_\_\_

Distributor

## Block diagram of Mark 32ALC



**Antenna unit**

The antenna should be mounted as high as possible and placed away from funnels, radio communication antennas and radars to avoid reflections and interferences.

The superior location is at the masthead, with free path in all directions. The antenna can be mounted on a vibration proof mast, tube or mounting bracket.

The coaxial cable downlead, should be well protected and secured to the mast. Unload the downlead cable by means of cable clamps and protect it from mechanical damage.

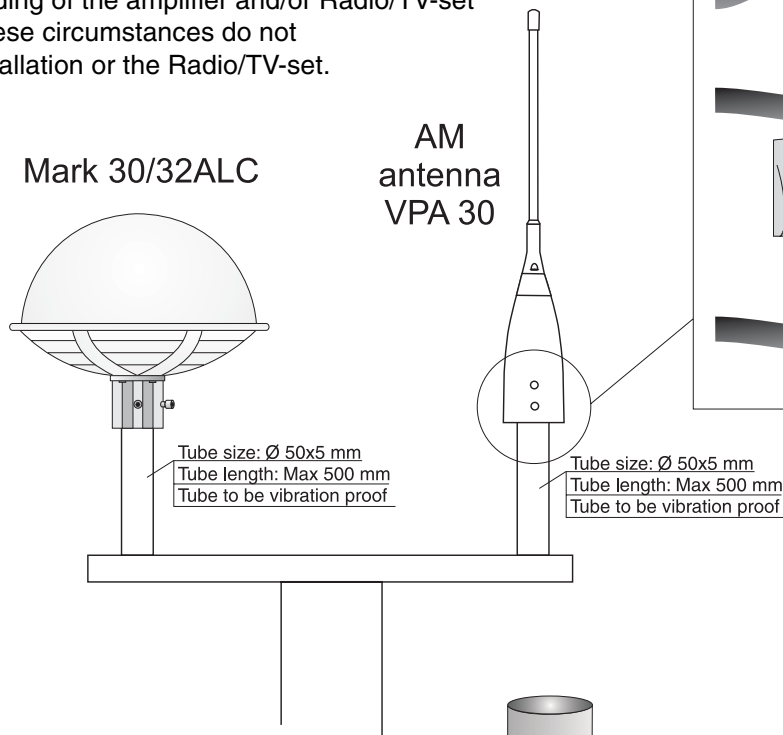
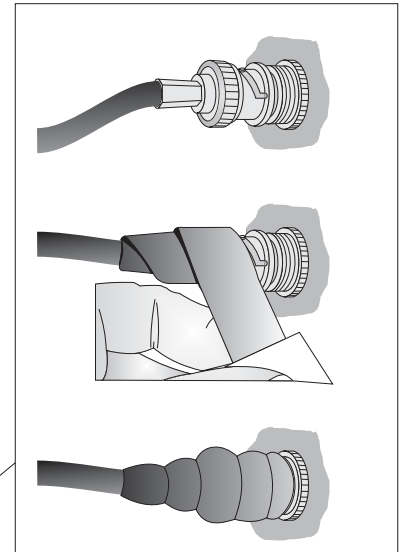
Avoid outdoor cable joints, but if necessary, make sure it is waterproof, by using self-vulcanizing rubber tape or similar. Avoid excessive bending of the coaxial cable.

Factors, such as transmitting power, polarization, radiation angle and antenna height affect the received signal strength.

Tune your Radio/TV-set and check sound/picture quality.

**Note.** In some ports severe reflections from buildings, cranes etc; can cause distortion due to the nature of the omni-directional receiving antenna. In some areas, close to transmitters, overloading of the amplifier and/or Radio/TV-set is possible. Under these circumstances do not interfere with the installation or the Radio/TV-set.

**Water proofing of VPA30 with vulcanizing tape**



**Accessories**

Mounting bracket in stainless steel 50 mm

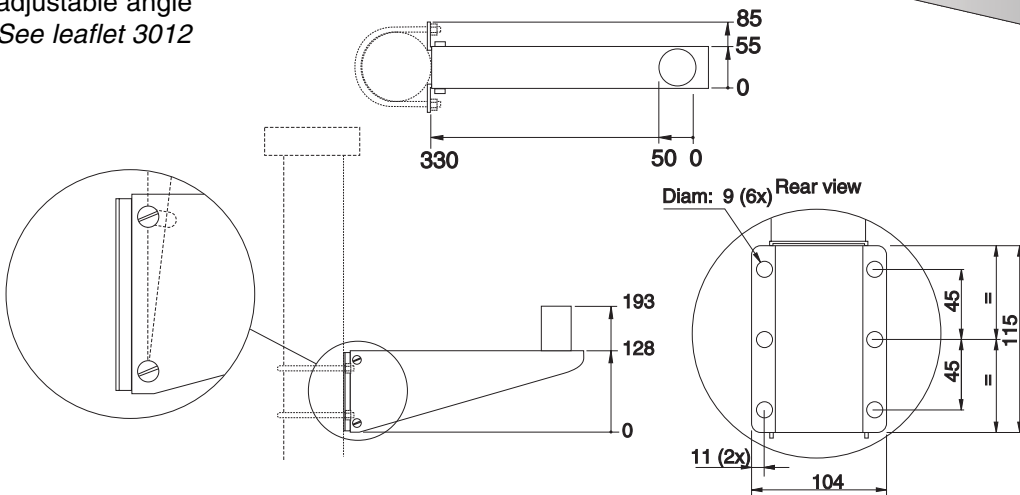
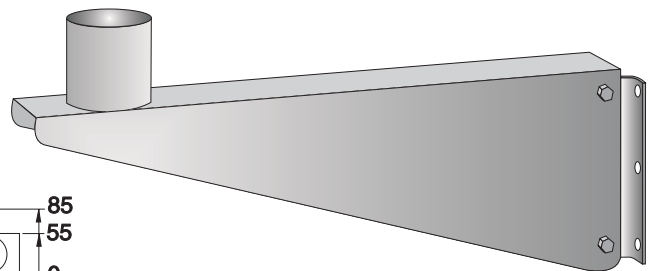
Order no: 201.351

Length: 400 mm

Height: 215 mm

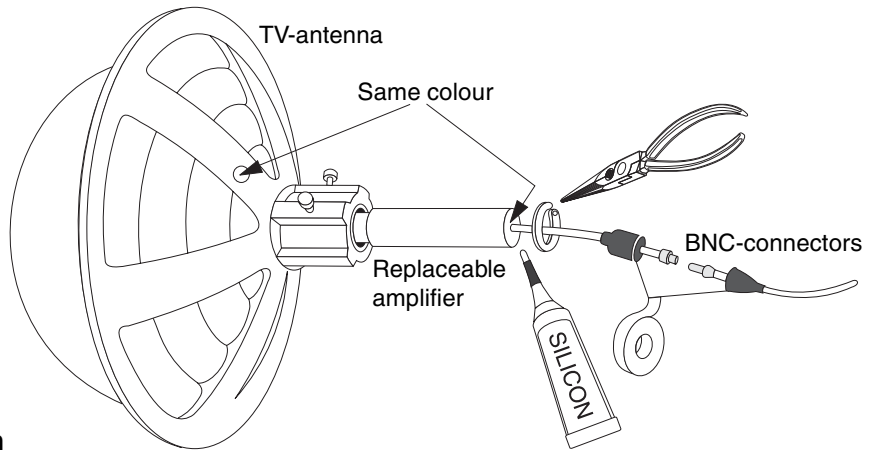
adjustable angle

See leaflet 3012

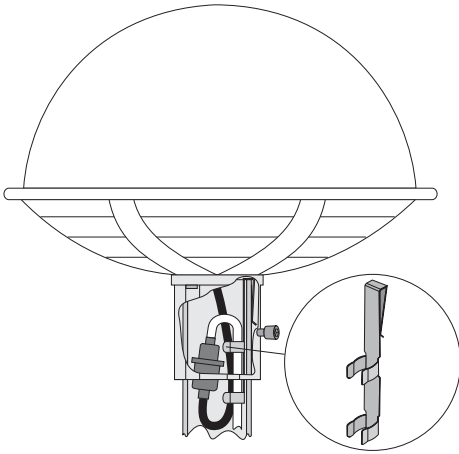


## Changing the amplifier

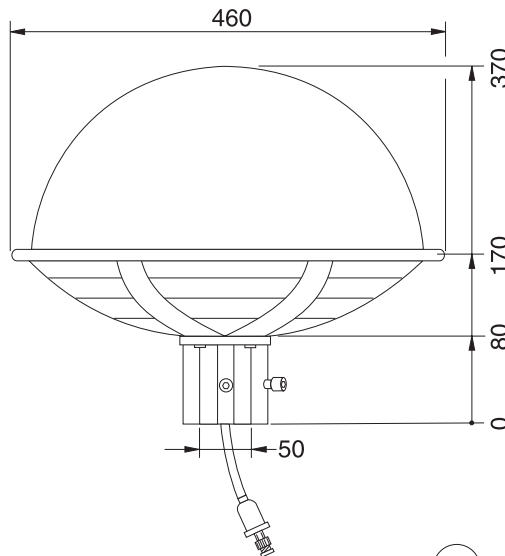
Antennas are as standard delivered with the amplifier mounted and sealed with silicon compound. The coaxial cable is supplied with a female connector which must be carefully sealed after connecting the replaceable amplifier. Compress the rubber covers and secure with vulcanizing silicon rubber tape.



## Mounting of cable holder



## Mechanical measurements *All measures in mm.*



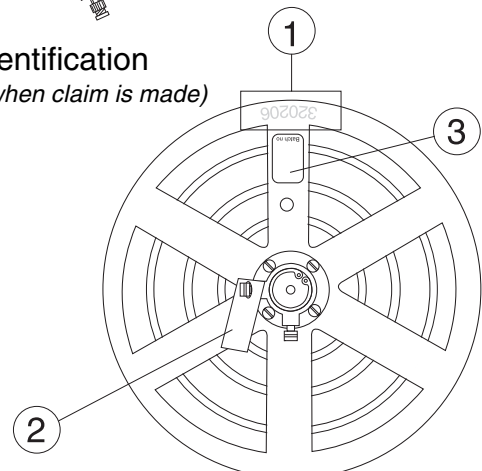
## Trouble shooting

If the system is not working satisfactory, please check the following:

1. Proper supply voltage to powersupply
2. Connections
3. Output voltage from powersupply to antenna (should be +15 V DC)
4. Antenna current (approx. 130-150 mA)

## Antenna identification

*(to be stated when claim is made)*



1. Serial no.
2. Inspection tag
3. Type label



Product	Order No.	Weight	Standard package	Volume
Mark 30ALC	201.090	5.5 kg	1	59 cdm
Mark 32ALC	201.095	5.5 kg	1	59 cdm
Mounting bracket (see leaflet 3012)	201.351	1.5 kg	1	4.4 cdm

