



LCD MARINE RADAR

MR-570R



ICOM

112 NM (1/8)

295.4° CUP

EBL1/VRM1	348.4°	0.952NM	0:04
EBL2/VRM2	187.8°	0.219NM	0:08

MARINE RADAR

TX SAVE BRILL HL OFF ADJ MENU

↑ ↓ ← →

− + ZOOM MOB TRAILS

OFF CENT ALM MODE

PI EBL1 VRM1 EBL2 VRM2

POWER EPA

The “third eye” on your boat is bright, easy and reliable

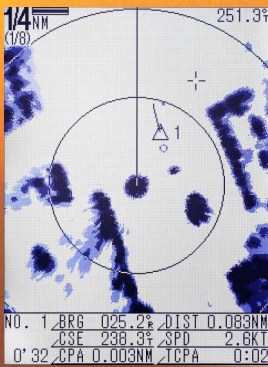
When it is dark, rainy and foggy or objects are too far away to see, the MR-570R acts like as your “third eye”. The bright and clear LCD display and easy to operate key layout, always provides reliable information, even in critical situations. In the uncertain and unpredictable ocean, one thing you can count on is the MR-570R, will always help guide you where you want to go, safely and easily with powerful 4kW output generating observations for up to 36 nautical miles.



LCD MARINE RADAR

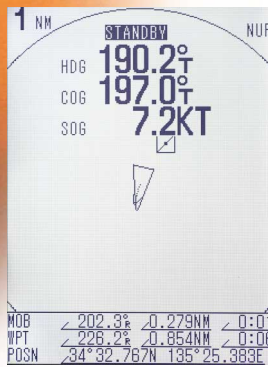
MR-570R

EPA function



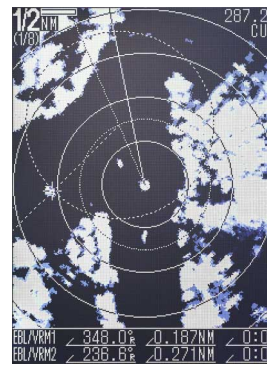
10 targets can be plotted on the screen and follows the motion of the other ships.

Navigation screen



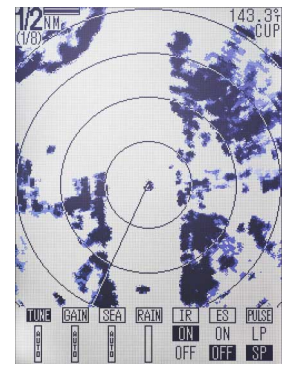
Navigation data is indicated on the screen when the standby mode is set.

Negative display



During night time operation, negative display settings light up the objects in white.

Adjusting screen



Changing the settings can be made quickly and easily. TUNE, GAIN and SEA are adjustable automatically or manually.

Powerful 4kW output for 36 nautical miles observations

The 60cm (2ft) radome scanner provides from 0.125 to 36 nautical miles of observation with the powerful 4kW of magnetron. The scanner antenna rotates up to 48 times in a minute. This allows an efficient screen renewal for fast moving vessels.

High-contrast 5.7" LCD display

The compact 5.7" display is convenient for pleasure boats or fast moving vessels, where space is at a premium. Set it on dashboard or hang it under the roof. Its QVGA (320x240 pixels) display clearly shows the radar echoes in 4 shades. The negative display setting lights up objects in white during night time operation.

Rugged construction and easy installation

The display unit is shielded tight to be water resistant equivalent to JIS 4 (except cables). The radome cover is made of AES resin for durability and is lightweight. It withstand the severe environment for many years. The system cables allow easy and flexible installation.

4 types of operating modes

The true motion* mode provides easy recognition of your vessel action. It fixes the surroundings and moves your position on the screen according to your real movement. Also North-up, Course-up and Heading-up are available.

* True motion requires additional bearing and position data.

2 EBL's and 2 VRM's

By having 2 EBL's (Electronic Bearing Lines) and 2 VRM's (Variable Range Markers), this allows tracking of 2 targets simultaneously. Further more, advanced measuring such as the distance and bearing between 2 targets, relative speed and course of a target, and distance and course from a waypoint are available.

Scanner Unit



Waypoint indication

When connected to a GPS or other navigation system, which have NMEA 0183, N+1, AUX data format outputs, the waypoint indication is shown on the screen (with ship's position in Lon/Lat and distance to the point).

EPA and MOB

The EPA* (Electrical Plotting Aid) allows you to plot 10 targets and forecast the courses with these vectors on the screen. The CPA (Closest Point Approach) and TCPA (Time to Closest Point Approach) alarm gives the audible warning when the targets come close to you. In addition, the MOB* (Man Overboard) point keeps the position on the screen if a crew member falls overboard.

* EPA and MOB requires additional bearing and position data.

Power save function and standby mode

For saving battery consumption, the power save function suspends the transmission 1 to 30 minutes. In that time, the display are turned off. And standby mode setting stops the transmission and shows the navigation data on the display.

And more features

- Automatic tuning and automatic GAIN
- Rain clutter and automatic sea clutter
- Switchable pulse-width to detect a small target
- Off-center function allows you to shift the desired direction, useful for watching bow direction or coastline
- Alarm zone setting emits a beep sound when another ship or island comes into the range or out of the range
- Interference Reduction decreases the interference from other ships
- Zoom function expands the targets two times to detect a small target
- NMEA 0183 format output to connect a video plotter or computer
- Stretch function enlarges the echo images



SPECIFICATIONS

GENERAL

- Minimum range : 25m (when measurement range is 1/8 NM)
- Maximum range : 36NM
- Measurement range/fixes rings :

Range (NM)	1/8	1/4	1/2	3/4	1	1.5	2	3	4	6	8	12	16	24	32	36
Ring (NM)	1/16	1/8	1/8	1/4	1/4	1/2	1/2	1	1	2	2	4	4	8	8	12

- Preheat time : 90sec.
- Connection length between display and scanner : 10m(standard), 20m(option), 30m(option)

DISPLAY UNIT

- Display type : 5.7" monochrome LCD
- Pixels : 240x320
- Power supply requirement : 10.2-42V DC (negative ground)
- Power consumption (approx.) : 47W
- Operatable temp. range : -15°C to +60°C; +5°F to +140°F
- Unit of distance : NM (nautical mile), km
- Dimensions (projections not included) : 186 (W)x203 (H)x103 (D) mm
7 3/16 (W)x8 (H)x4 1/16 (D) in
- Weight (approx.) : 2kg; 4lb 6.5oz
- Input data format : NMEA 0183, N+1, AUX
- Output data format : NMEA 0183

SCANNER UNIT

- Type : 2ft slotted wave-guided array in radome
- Rotation speed : 24-48rpm typ.
- Beamwidth : Horizontal beam 4° typ.
Vertical beam 22° typ.
- Sidelobe : -18dB typ.
- Polarization : Horizontal
- Dimensions (radome) (projections not included) : 607(d)x243(H) mm
23 29/32(d)x9 9/16(H) in
- Weight (approx.) : 9kg; 19lb 13oz
- Operating temperature range : -25°C to +70°C; -13°F to +158°F
- Frequency : 9410MHz ±30MHz
- Peak output power : 4kW
- Pulse-width/Reception rate : 80nsec./2880Hz, 80nsec./2160Hz, 250nsec./2160Hz,
350nsec./2160Hz, 900nsec./720Hz
- Modulator : FET switching
- Mixer and local oscillator : Microwave integrated circuit
- Intermediate frequency : 60MHz
- IF passband width : 10MHz, 3MHz
- Tuning : Auto or manual
- Transmit/receive switching : Circulator

All stated specifications are subject to change without notice or obligation.

OPTIONS

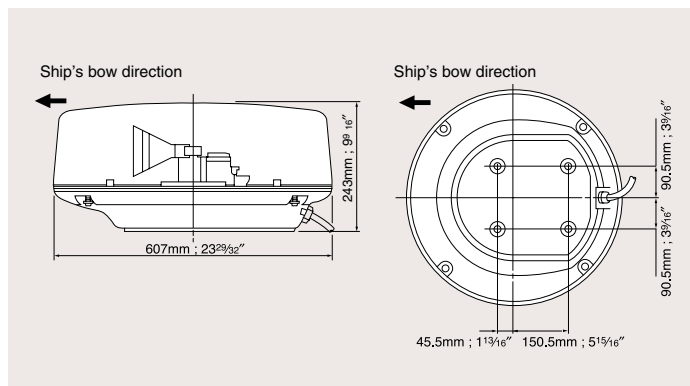
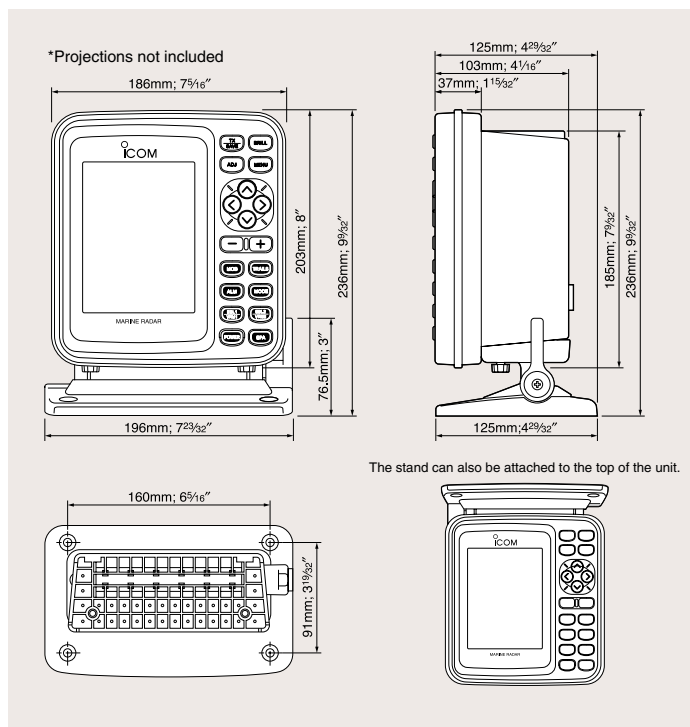


OPC-1077 SYSTEM CABLE
Allows you 20m (65.6ft) separate installation between the display unit and the scanner unit.



OPC-1078 SYSTEM CABLE
Allows you 30m (98.4ft) separate installation between the display unit and the scanner unit.

DIMENSIONS



* The screens use image photos in this catalog.

Icom Inc.

1-1-32, Kamiminami, Hirano-ku, Osaka 547-0003, Japan Phone: 06 6793 5302 Fax: 06 6793 0013 URL: <http://www.icom.co.jp/world/index.html>

Count on us!

Icom America Inc.

<Corporate Headquarters>
2380 116th Avenue N.E., Bellevue, WA 98004, U.S.A.
Phone: (425) 454-8155 Fax: (425) 454-1509
URL : <http://www.icomamerica.com>
<Customer Service> Phone : (425) 454-7619

Icom Canada

Glenwood Centre #150-6165 Highway 17,
Delta, B.C., V4K 5B8, Canada
Phone: (604) 952-4266 Fax: (604) 952-0090
URL : <http://www.icomcanada.com>

Icom (Australia) Pty. Ltd.

A.B.N. 88 006 092 575
290-294 Albert Street, Brunswick, Victoria, 3056, Australia
Phone: 03 9387 0666 Fax: 03 9387 0022
URL : <http://www.icom.net.au>

Icom New Zealand

146A Harris Road, East Tamaki, Auckland, New Zealand
Phone: 09 274 4062 Fax: 09 274 4708
URL : <http://www.icom.co.nz>

Icom (Europe) GmbH

Communication Equipment
Himmelgeister Str. 100, D-40225 D sseldorf, Germany
Phone: 0211 346047 Fax: 0211 333639
URL : <http://www.icomeurope.com>

Icom Spain S.L.

Ctra. de Gracia a Manresa Km. 14,750
08190 Sant Cugat del Valles Barcelona, SPAIN
Phone: (93) 590 26 70 Fax: (93) 589 04 46
URL : <http://www.icomspain.com>

Icom (UK) Ltd.

Unit 9, Sea St., Heme Bay, Kent, CT6 8LD, U.K.
Phone: 01227 741741 Fax: 01227 741742
URL : <http://www.icomuk.co.uk>

Icom France S.a

Zac de la Plaine, Rue Brindejonec des Moulinais
BP 5804, 31505 Toulouse Cedex, France
Phone: 561 36 03 03 Fax: 561 36 03 00
URL : <http://www.icom-france.com>

Asia Icom Inc.

6F No. 68, Sec. 1 Cheng-Teh Road,
Taipei, Taiwan, R.O.C.
Phone: (02) 2559 1899 Fax: (02) 2559 1874

Your local distributor/dealer: