

SPECIFICATIONS


DISPLAY UNIT	MR-1210RI	MR-1210TII	MR-1210TIII
Display type	12.1-inch TFT color LCD		
Resolution	600×800 dots		
Minimum range	25m (at 1/8 NM range)		
Maximum range	36NM	48NM	72NM
Range scales (NM)	1/8, 1/4, 1/2, 3/4, 1, 1.5, 2, 3, 4, 6, 8, 12, 16, 24, 32, 36, 48*1, 64*2, 72*2 (*1 MR-1210TII/TIII only *2 MR-1210TIII only)		
Preheat time	90 seconds		
Power supply	10.2-42V DC		
Power consumption (at zero wind velocity)	60W (approx.)	70W (approx.)	80W (approx.)
Usable Temp. range	-15°C to +55°C		
Input data format	NMEA 0183, N+1, AUX, IEC61162-2		
Output data format	NMEA 0183		
SCANNER UNIT	MR-1210RI	MR-1210TII	MR-1210TIII
Scanner type	2ft (60cm) slotted waveguide array, enclosed in a radome	4ft (120cm) slotted waveguide array	
Rotation speed	24, 36rpm typ.	24, 36rpm typ.	22, 24, 36rpm typ.
Horizontal beamwidth	4°typ.	2°typ.	
Vertical beamwidth	22°typ.	20°typ.	
Side lobe	-18dB typ.	-24dB typ.	
Usable Temp. range	-25°C to +70°C		
Usable humidity range	Less than 95% (at 40°C)		
Frequency	9410MHz ±30MHz		
Modulation	PON		
Peak output power	4kW	4kW	6kW
Pulse-width/repetition rate	80nS/2160Hz, 80nS/1440Hz, 250nS/1440Hz, 350nS/1440Hz, 350nS/720Hz, 900nS/720Hz, 900nS/660Hz* (* MR-1210TIII only)		
Modulator	FET switching		
Intermediate frequency	60MHz		
IF bandwidth	10MHz, 3MHz		
Tuning	Auto/manual selectable		
Supplied system cable	15m; 49.2ft; OPC-2341	20m; 65.6ft; OPC-2342	

All stated specifications are subject to change without notice or obligation.

Applicable IP Rating

Ingress Protection Standard			
DISPLAY UNIT	IPX4	SCANNER UNIT	IPX6

OPTIONS

<p>SYSTEM CABLES</p>  <p>OPC-2339 20m (65.6ft) SYSTEM CABLE</p> <p>OPC-2340 30m (98.4ft) SYSTEM CABLE</p>	<p>VIDEO OUTPUT UNIT</p>  <p>UX-234 Analog RGB output for external monitor</p>
<p>CLASS B AIS TRANSPONDER</p>  <p>MA-500TR</p>	<p>AIS RECEIVER</p>  <p>MXA-5000</p>

Icom, Icom Inc. and the Icom logo are registered trademarks of Icom Incorporated (Japan) in the United States, the United Kingdom, Germany, France, Spain, Russia, Japan and/or other countries.

Credits: This product includes "zlib", "libevent", "libusb" and "freetype" open source software, and is licensed according to the open source software license.

Icom Inc. 1-1-32, Kami-minami, Hirano-Ku, Osaka 547-0003, Japan Phone: +81 (06) 6793 5302 Fax: +81 (06) 6793 0013 www.icom.co.jp/world **Count on us!**

Icom America Inc.
12421 Willows Road NE,
Kirkland, WA 98034, U.S.A.
Phone: +1 (425) 454-8155
Fax: +1 (425) 454-1509
E-mail: sales@icomamerica.com
URL: <http://www.icomamerica.com>

Icom (Europe) GmbH
Communication Equipment
Auf der Krautweide 24
65812 Bad Soden am Taunus, Germany
Phone: +49 (6196) 76685-0
Fax: +49 (6196) 76685-50
E-mail: info@icom-europe.com
URL: <http://www.icomeurope.com>

Icom France s.a.s.
Zac de la Plaine,
1 Rue Brindejonc des Moulinais, BP 45804,
31055 Toulouse Cedex 5, France
Phone: +33 (5) 61 36 03 03
Fax: +33 (5) 61 36 03 00
E-mail: icom@icom-france.com
URL: <http://www.icom-france.com>

Asia Icom Inc.
6F No. 68, Sec. 1 Cheng-Teh Road,
Taipei, Taiwan, R.O.C.
Phone: +886 (02) 2559 1899
Fax: +886 (02) 2559 1874
E-mail: sales@asia-icom.com
URL: <http://www.asia-icom.com>

Your local distributor/dealer:

Icom Canada
Glenwood Centre #150-6165
Highway 17A, Delta, B.C.,
V4K 5B8, Canada
Phone: +1 (604) 952-4266
Fax: +1 (604) 952-0090
E-mail: info@icomcanada.com
URL: <http://www.icomcanada.com>

Icom Spain S.L.
Ctra. Rubi, No. 88 "Edificio Can Castanyer"
Bajos A 08174, Sant Cugat del Valles,
Barcelona, Spain
Phone: +34 (93) 590 26 70
Fax: +34 (93) 589 04 46
E-mail: icom@icomspain.com
URL: <http://www.icomspain.com>

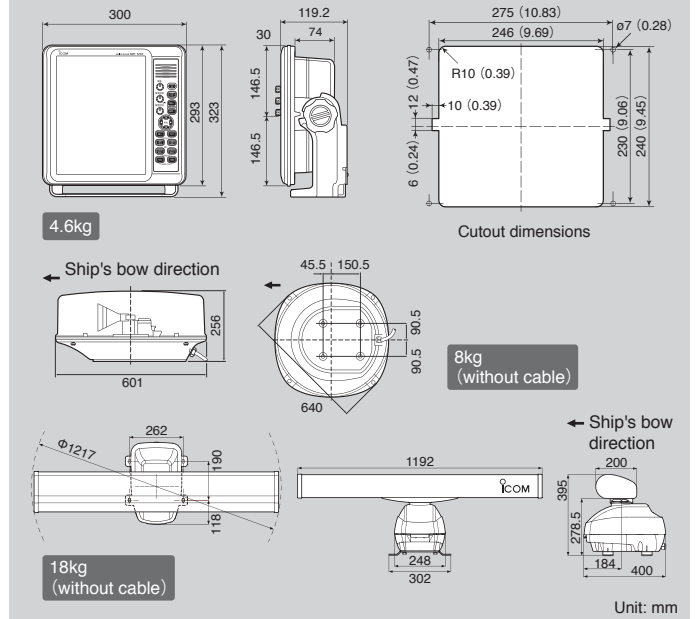
Icom (Australia) Pty. Ltd.
Unit 1 / 103 Garden Road,
Clayton, VIC 3168 Australia
Phone: +61 (03) 9549 7500
Fax: +61 (03) 9549 7505
E-mail: sales@icom.net.au
URL: <http://www.icom.net.au>

Icom Brazil
Rua Itororó, 444 Padre Eustáquio
Belo Horizonte MG,
CEP: 30720-450, Brazil
Phone: +55 (31) 3582 8847
Fax: +55 (31) 3582 8987
E-mail: sales@icombrasil.com

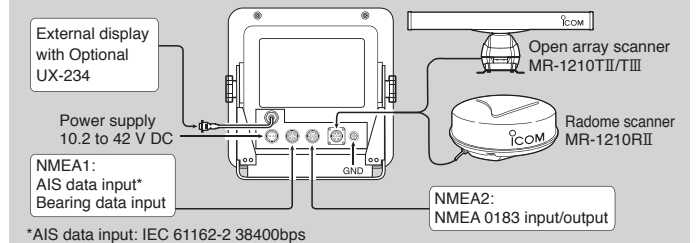
Icom (UK) Ltd.
Blacksale House, Altira Park,
Herne Bay, Kent, CT6 6GZ, U.K.
Phone: +44 (0) 1227 741741
Fax: +44 (0) 1227 741742
E-mail: info@icomuk.co.uk
URL: <http://www.icomuk.co.uk>

Icom New Zealand
39C Rennie Drive, Airport Oaks,
Auckland, New Zealand
Phone: +64 (09) 274 4062
Fax: +64 (09) 274 4708
E-mail: inquires@icom.co.nz
URL: <http://www.icom.co.nz>

DIMENSIONS



REAR PANEL VIEW



Optional Video Output Unit

With an optional video output unit, UX-234, the MR-1210 can be connected to an external display. Same radar echoes can be observed on the main and secondary displays at the same time.





MARINE RADARS

MR-1210R II

12.1-inch Color TFT, 4kW Radome Scanner

MR-1210T II

12.1-inch Color TFT, 4kW Open Array Scanner

MR-1210T III

12.1-inch Color TFT, 6kW Open Array Scanner



- 12.1-inch Large Color TFT Display (600×800 dots)
 - 4kW Radome Radar (MR-1210R II), 4kW Open Array Scanner (MR-1210T II), 6kW Open Array Scanner (MR-1210T III)
 - Stabilized Head Up Mode*1
 - AIS Overlay Function*2
 - Favorite AIS Function*2
 - Simplified ATA Function
 - New User Interface
 - Optional Video Output Unit
- (*1 External heading sensor required
*2 External AIS data required)

