

STANDARD HORIZON

MLS-300

External Speaker

The **MLS-300** External Loudspeaker is a high performance communications speaker matching the impedance and output requirements of most Standard Horizon transceivers.

INSTALLATION

1) MOUNTING BRACKET INSTALLATION

1. Remove the **MLS-300** from the bracket by removing the two Mounting Bracket Knobs.
2. Choose a place to mount the **MLS-300**.
3. Use the bracket as a template to mark the locations of the mounting holes.
4. Use a 5.2-mm (17/64") bit to drill the holes, and secure the bracket with the supplied screws, spring washers, flat washers, and nuts (Figure 1 & 2).
5. Insert the **MLS-300** into the bracket with the Mounting Bracket Knobs which were removed in step 1.
6. Set the **MLS-300** to the preferred angle, then tighten the Mounting Bracket Knobs to fasten the **MLS-300** to the bracket.
7. Route and secure the speaker cable from the **MLS-300** to the Marine VHF. Connect the WHITE wire of the speaker cable to the marine VHF's positive (+) external speaker output and the shield of the speaker cable to the negative (-) external speaker connection.

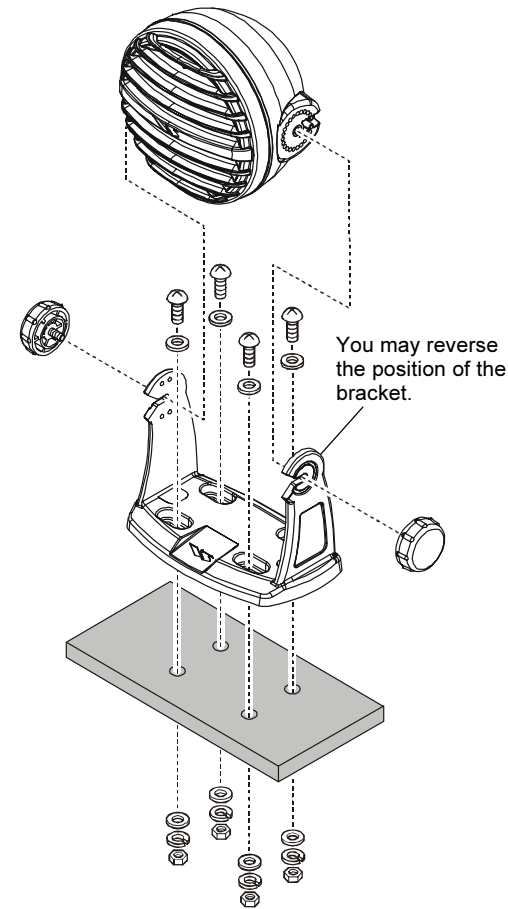


Figure 1 (Desktop Mount)

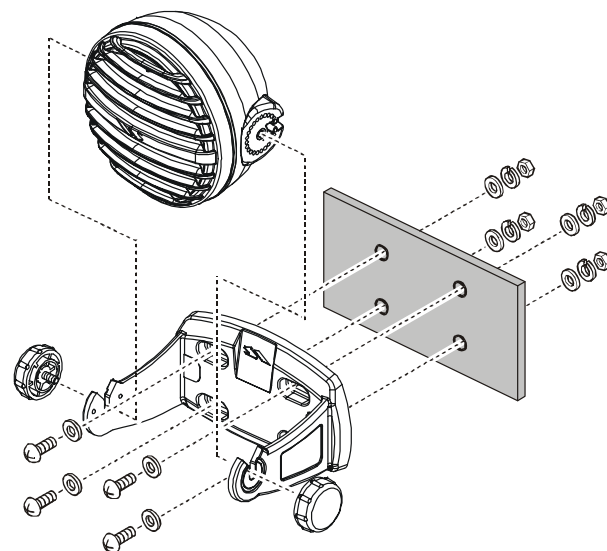
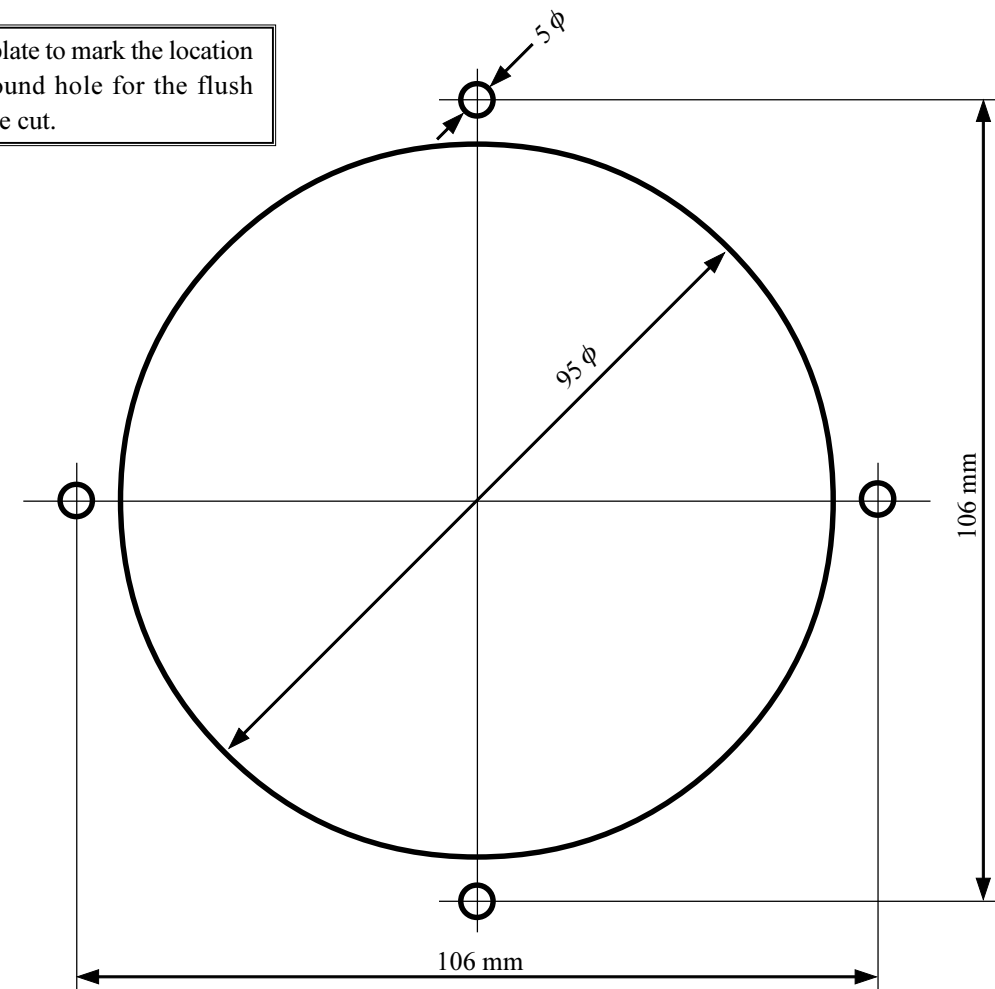


Figure 2 (Wall Mount)

TEMPLATE for the MLS-300

Use this template to mark the location where the round hole for the flush mount is to be cut.



REPLACEMENT PARTS

Mounting Bracket (Black):	RA0636400
Mounting Bracket (White):	RA0636500
Mounting bracket Knobs (Black):	RA045910A
Mounting bracket Knobs (White):	RA043770A
Mounting bracket mounting hardware:	U9900147



SPECIFICATIONS

Speaker Impedance:	4 Ω
Maximum Power Input:	10 W
Speaker Cable Length:	6.5 feet (2 m)

STANDARD HORIZON
 Marine Division of VERTEX STANDARD
 US Headquarters
 10900 Walker Street, Cypress, CA 90630, U.S.A.
www.standardhorizon.com



2) FLUSH MOUNT INSTALLATION

1. Remove the **MLS-300** from the bracket by removing the two Mounting Bracket Knobs, then remove the rear case of the **MLS-300** from the main body by removing the four screws (Figure 3.).
2. Assemble the supplied M4x50 Screw, Nut, and Washer as the Figure 4.
3. Use the supplied template to mark the location where the round hole is to be cut. Confirm the space behind the dash or panel is deep enough to accommodate the **MLS-300** (at least 2.8 inch (70 mm) deep).
4. Cut out the round hole (one large hole and four small mounting holes) and inset the **MLS-300** from the front side.
5. Referring to Figure 5, pass through the four M4x50 Screws (with Nut and Washer) into the mounting holes on the panel from the back side and turn the M4x50 Screws five times.
6. Turn the four Nuts to adjust the tension so that the **MLS-300** is tight against the mounting surface.
7. Route and secure the speaker cable from the **MLS-300** to the Marine VHF. Connect the WHITE wire of the speaker cable to the marine VHF's positive (+) external speaker output and the shield of the speaker cable to the negative (-) external speaker connection.

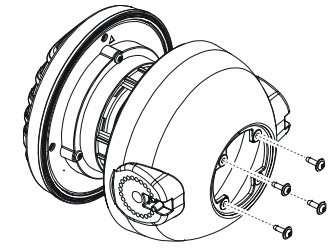


Figure 3

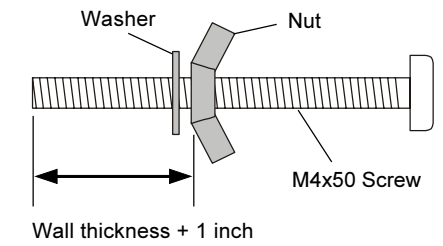


Figure 4

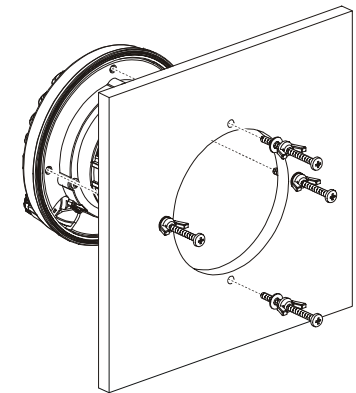


Figure 5