

FURUNO®

Dual Frequency 50/200 kHz, 300 watts rms
5-INCH LCD SOUNDER
Model **LS-4100**



Actual Size



The future today with FURUNO's electronics technology.

FURUNO ELECTRIC CO., LTD.

9-52 Ashihara-cho, Nishinomiya City, Japan Phone: +81 (0)798 65-2111
Fax: +81 (0)798 65-4200, 66-4622 URL: www.furuno.co.jp

Catalogue No. E-396b

TRADE MARK REGISTERED
MARCA REGISTRADA

- High-contrast monochrome LCD (240 x 320 pixels)
- Dual Frequency 50/200 kHz, 300 W rms
- "White Line" and "Sea-Through" technology discriminates echoes from the seabed or anywhere in the water column
- Wind direction and speed display with appropriate sensor.
- "Mini-navigator" feature provides 12 "Go To" waypoints with programmable names and registers in VideoPlotter at the same time by marking waypoints.
- Unique Bottom-Lock Fish Alarm provides consistent audible bottom fish detection in varying depths



Text Nav Data



Waypoints



Graphical Nav Data



Bottom Zoom with white line



Single freq/A-scope Reverse mode

SPECIFICATIONS OF LS-4100

- Display** 5-inch monochrome LCD, 4 gray tones, 240 (H) x 320 (V) pixels
- Frequency** 50 and 200 kHz
- Output Power** 300 W rms
- Display Modes** Normal (Single/Dual), Bottom-Zoom, Bottom-Lock Expansion, Marker Zoom, 2 pages of Nav Data and A-scope
- Basic Range** (m, ft, fa, p/b can be selected in menu) 2 to 500 m
- Range Phasing** Up to 500 m
- Bottom-lock Range** 3 to 10 m selectable in menu
- Zoom Scale** 2 to 50 m selectable in menu
- Picture Advance** Stop, 1/16, 1/8, 1/4, 1/2, 1/1, 2/1, 4/1
- Pulselength and Pulse Repetition Rates**

Range (m)	5-30	80	150	200	300
Pulselength (ms)	0.22	0.32	0.42	0.62	0.82
PRR (Pulses/min)	500	256	167	136	100
- Interface** (NMEA 0183 Ver. 1.5/2.0/3.0)

NMEA connector can be set on menu for IN/IN or IN/OUT.

Input: RMA, RMB, RMC, GGA, VTG, VHW, MTW, XTE, BWC, MDA, GLL, HDT, HDG, MWV

Output: Water depth (SDDPT), Speed* (VWVHW), Water temperature* (YCMTW), Target position (SDTLL)**, Position/Depth/Temp (PFECXXX)**

* When connected with a transducer with speed and temperature sensor

** When connected with a GPS

- Alarm** Bottom, Fish, Temp, Arrival, Speed and Battery
- Language** English, French, Spanish, German, Italian, Portuguese, Danish, Japanese

POWER SUPPLY 12 VDC, 6 W

ENVIRONMENT (Display Unit)

Temperature: -15°C to +55 °C (IEC 60945)

Waterproofing: IPX5 (IEC 60529), CFR-46 (USCG standard)

EQUIPMENT LIST

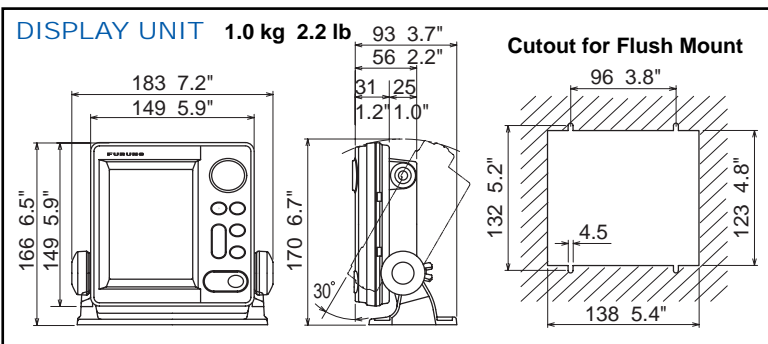
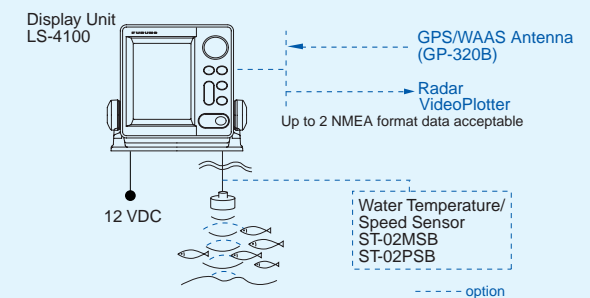
Standard

- Display Unit
- Installation Materials and Standard Spare Parts

Option

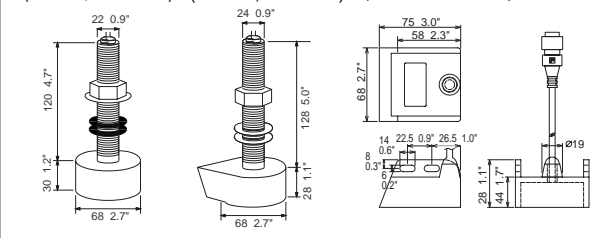
- Cable for Speed/Temperature Sensor 02S4147-1
- Inner Hull Kit 22S0191-0
- Transducer (*Specify when ordering*)
 - 520-5PSD (Plastic, Thru-hull)
 - 525-5PWD (Plastic, Transom)
 - 520-5MSD (Bronze, Thru-hull)
 - with speed/temperature sensor*
 - 525ST-PWD (Plastic, Transom)
 - 525ST-MSD (Bronze, Thru-hull)

INTERCONNECTION DIAGRAM



TRANSDUCERS (Option)

520-5PSD (Plastic, Thru-hull) **520-5MSD** (Bronze, Thru-hull) **525-5PWD** (Plastic, Transom)



SPECIFICATIONS SUBJECT TO CHANGE WITHOUT NOTICE

0403XN Printed in Japan

FURUNO U.S.A., INC.
Camas, Washington, U.S.A.
Phone: +1 360-834-9300 Telefax: +1 360-834-9400

FURUNO (UK) LIMITED
Denmead, Hampshire, U.K.
Phone: +44 2392-230303 Telefax: +44 2392-230101

FURUNO FRANCE S.A.
Bordeaux-Mérignac, France
Phone: +33 5 56 13 48 00 Telefax: +33 5 56 13 48 01

FURUNO ESPAÑA S.A.
Madrid, Spain
Phone: +34 91-725-90-88 Telefax: +34 91-725-98-97

FURUNO DANMARK AS
Hvidovre, Denmark
Phone: +45 36 77 45 00 Telefax: +45 36 77 45 01

FURUNO NORGE A/S
Ålesund, Norway
Phone: +47 70 102950 Telefax: +47 70 127021

FURUNO SVERIGE AB
Västra Frölunda, Sweden
Phone: +46 31-7098940 Telefax: +46 31-497093

FURUNO FINLAND OY
Espoo, Finland
Phone: +358 9 4355 670 Telefax: +358 9 4355 6710