

JRC

400MHz 2W Waterproof and Intrinsically Safe

MARINE UHF TRANSCEIVER

JHS-430



The JHS-430 is a 2 Watt UHF intrinsically safe transceiver designed for on-board, ship-to-ship or ship-to-shore communications in ship operations, loading/unloading, rescue operations and mooring. The JHS-430's ergonomic design and intrinsically safe structure are engineered to FM standards for use when transporting flammable, dangerous materials by Tanker, LPG carrier, LPG carrier and/or LO carrier.



FEATURES

◆ Intrinsically Safe Structure

Engineered to meet FM standards the JHS-430 is intrinsically safe and is approved for use when transporting, loading or unloading flammable, dangerous materials. The advanced, structurally sound casing and design ensure its safe use in conditions where intrinsically safe communication is necessary.

◆ Waterproof Design

The JHS-430's one piece, sealed casing and waterproof design made to comply with industry specifications (JIS class 7) ensure its use even in rainy or severe splash conditions.

◆ Tone Squelch Function (option)

The JHS-430 features 2 tone squelch frequencies that can be pre-set.

◆ Easy Operation

The ergonomic design of the unit and placement of the control knob and keys allow single handed operation and a wide screen viewer for channel identification.

◆ Low Power Consumption

The Lithium-Ion battery provides minimal power consumption with long lasting operation. The sleep mode function ensures more than 10 hours of use between charging.

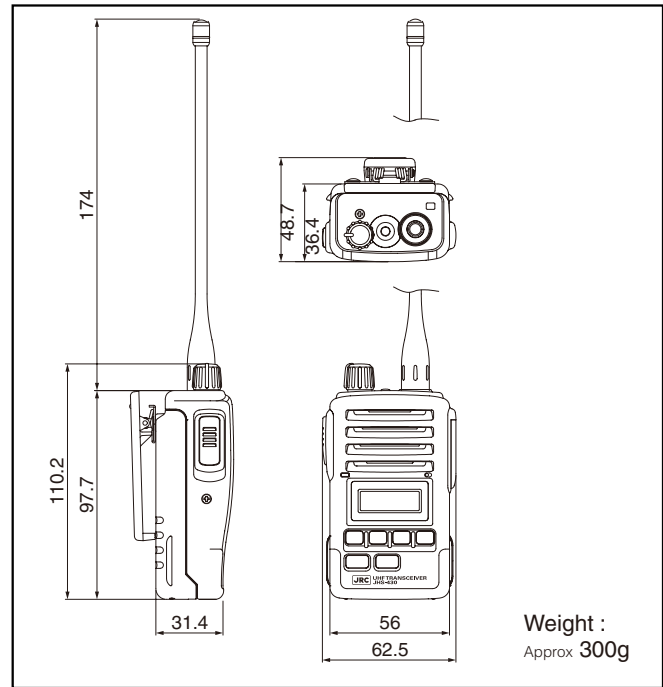


Japan Radio Co., Ltd.

SPECIFICATIONS

Frequencies	: CH1 457.525MHz CH2 457.550MHz CH3 457.575MHz
Emission Type	: F3E
Output power	: 2W +20%, -50% (Low:0.2W)
Tone squelch	: Up to 2 frequencies
Sensitivity	: 8dB μ or less (20dB NQS)
Battery	: Li-Ion Battery (7.2V DC, 1700mAh)
Service hours	: About 10 hours (TX1, RX1, Standby18)
Waterproof	: JIS class 7 (1m depth / 30min)
Intrinsically Safe	: Class I, II, III, Division 1, Groups C, D, E, F, G, T3C
Nonincendive	: Class I, Division 2, Groups A, B, C, D, T3C
Temperature	: -20°C to +60°C (Operate)
Antenna impedance	: 50 Ω unbalanced

DIMENSIONS



COMPOSITION

Standard Components

Item	Model	Q'ty	Note
Transceiver	JHS-430	1	Antenna, Shoulder Belt, Fixing Clip
Battery Pack	BP-227FM	1	Lithium-Ion (7.2V, 1700mAh)
Instruction manual		1	
Inspection data		1	

Optional Components

Item	Model	Remarks
Battery Charger	NZB-139	Desk-mount type (Power Supply:100 to 240VAC)
Ledge for 6 Battery Chargers	NZB-141	Horizontal array wall-mount type (Power Supply:100 to 240VAC)
Rack for 6 Battery Chargers	NZB-142	Desk-mount type (Power Supply:100 to 240VAC)
Spare Battery	BP-227FM	Lithium-Ion type (7.2V,1700mAh)
External speaker/microphone	HM-138	Waterproof type
Carrying case	MPXP33443	
Antenna	NAU-6	For non-powered antenna system (in/outdoor type with N-type connector)
Antenna	FB-400N	For non-powered antenna system (indoor type with N-type connector)
Antenna fixing plate	MPJC00683A	
Connector for coaxial cable	N-P-10U	For cable connection
Connector for coaxial cable	N-TA-JJJ	For cable connection
Connector for coaxial cable	N-A-JJ	For cable connection
Cable divider	D2-4501	For cable dividing
Cable divider	D3-4501	For cable dividing

⚠ ATTENTION FOR SAFETY

- Read the Instruction Manual before use of this product.
- Do not install this product in any place exposed to water, moisture, vapor dirt and oily smoke. Otherwise it may result in a fire, electric shock or failure.
- Request installation of this product by JRC's offices or agents. Installation work done by non-specialized technicians may result in an electric shock or failure.

● Specifications may be subject to change without notice.

For further information, contact:



Since 1915

Japan Radio Co., Ltd.

URL <http://www.jrc.co.jp/eng/>

Main Office: Nittochi Nishi-Shinjuku bldg.
10-1, Nishi-Shinjuku 6-chome
Shinjuku-ku, Tokyo 160-8328, Japan
Telephone: +81-3-3348-4099
Facsimile: +81-3-3348-4139

Overseas Branches : Seattle, Amsterdam, Athens
Liaison Offices : Taipei, Manila, Jakarta, Singapore,
Hanoi, Shanghai, New York

26EM



ISO9001, ISO14001 Certified