

TOTAL NAVIGATOR

KTN-70A / KTN-70AF

Affordable Total Navigator

KTN-70A is an entry model of Plotter.

KTN-70AF is a model with a versatile function of Plotter Fish Finder.

These models can be connected to a Radar and has a built-in AIS receiver, enabling you to sail effectively and safely.



Features

- ▶ 7-inch wide color LCD display
- ▶ High accuracy built in chart
- ▶ Radar ATA target overlay
- ▶ AIS information overlay
- ▶ Easy waypoints transfer to Radar

KTN-70A / KTN-70AF

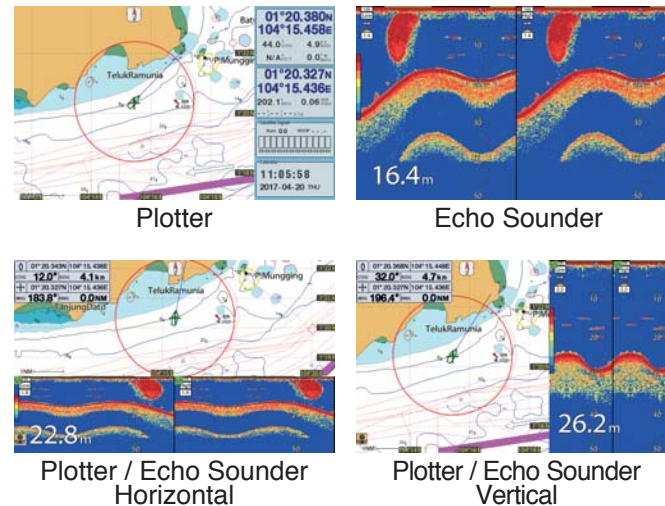
Easy to operate



Operation key

By using both single function keys and shortcut keys, you can quickly learn how to operate KTN-70A / 70AF.

Various presentation modes



The screen width of the Echo Sounder image can be adjusted from 30 to 70% on the screen of Plotter / Echo Sounder. (KTN-70AF only)

Other ship track display



By connecting to a Radar with ATA function, up to 50 others' tracks chased by ATA can be seen in the display. You can customize settings such as color and type of track for each ship in the display.

AIS display function



As KTN-70A / 70AF has a built-in AIS receiver, by connecting to an Antenna, up to 400 AIS symbols can be seen in the display. You can check how AIS-equipped ships move in the display, which makes your voyage safer.

Compass and data display



The graphical display enables you to determine easily where you go and how the wind blows*. You can check information about the waypoint such as the distance, the direction, the route and ETA.

*Wind data input required

Waypoint and route display



By connecting to a Radar, waypoint destination and route can be transferred to the Radar. By comparing the Radar and the Plotter displays, you can more easily determine the position relation between the waypoint and route.

Save important data in your SD card



You can save data such as Waypoints, Marks, Tracks, Other Ship's Tracks, Routes, Drawings and Beacons in a general SD card as well as the internal memory. You can transfer the data to the other KTN-70A / 70AF. It is recommended that you save important data in your SD card.

Connection image between KTN-70A / 70AF & Radar



SPECIFICATIONS

General

Display size and type	7-inch color LCD
Display resolution	800 × 480 (WVGA)
Languages	Burmese, English, Indonesian, Japanese, Korean, Malay, Portuguese, Spanish, Simplified Chinese, Traditional Chinese, Tagalog, Thai, Turkish, Vietnamese
Input data format & sentences	NMEA0183 Ver.1.5 / 2.0 DPT, GGA, GLL, HDG, HDT, MTW, MWD, MWV, RMC, TLL, TTM, VTG, ZDA
Output data format & sentences	NMEA0183 Ver.1.5 / 2.0, AIS sentence APB, BOD, BWC, DPT, GGA, GLL, HDT, MTW, MWD, MWV, RMA, RMB, RMC, RTE, TLL, VTG, XTE, ZDA
NMEA ports	Total 2: input and output
Power supply	10.8 to 31.2 VDC
Power consumption	25 W or less (24 VDC)
Operating temperature	-15°C to +55°C
Water protection	Display unit: IPX4, Antenna unit: IPX6

Plotter

Basic ranges	0.01 to 200NM
Range units	Distance: km / NM, Speed: km / h / kn, Depth: m / ft / fm / l.fm
Presentation modes	Plotter (Full screen, with information window), Compass, Data
Track points	400,000 (1 Block / Max 20,000)
Mark points / WPT	100,000
Alarms	CPA / TCPA / Anchor watch / XTE / Arrival / Over speed / Drawing / Distance to turn waypoint / Lower depth / Higher depth / Water temperature

Echo Sounder (KTN-70AF)

Output power	300W
Output frequency	50 / 200 kHz
Basic ranges	0 to 400(m), 0 to 1200(ft), 0 to 260(fm), 0 to 280(l.fm)
Zoom ranges	2.5 to 200(m), 5 to 640(ft), 2.5 to 110(fm), 2.5 to 130(l.fm)
Shift step	1(m, ft, fm, l.fm)
Range units	m / ft / fm / l.fm
Presentation modes	Plotter, Sounder (Hi / Low / Dual frequency / H: Zoom / L: Zoom), Plotter / Sounder (3:1 Vertical / 3:1 Horizontal), Compass, Data
Presentation colors	16 colors / 8 colors / Monochrome
Alarms	Bottom / Fish
Image speed	7 steps + stop
Zoom type	Bottom / B.D.(Bottom discrimination) / Zoom
Auto functions	Gain / Range / Shift

EQUIPMENT LIST

Standard components	Display unit	1
	GPS antenna (with Antenna holder)	1 set
	DC power cable (2m)	1
	Installation material (Tapping screw for installation)	1 set
	Operation manual (with Quick reference)	1
	6 Pin connector	1
	Transducer (KTN-70AF only)	1
	Options	RADAR connecting cable
Owner supply	AIS antenna and cable	1

The corresponding areas of the map are as follows.

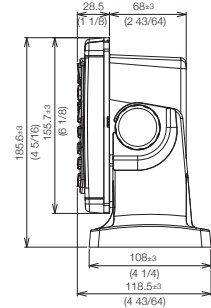
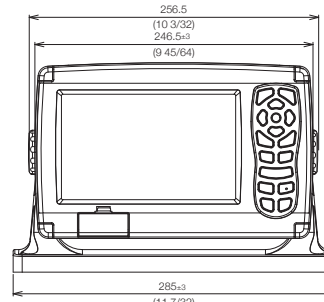
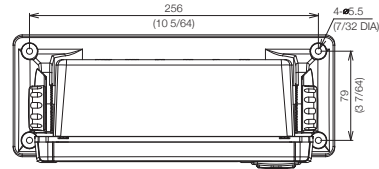
- Southeast Asia area and Indian area
- East Asia area and South Korea
- Africa area

DIMENSIONS AND WEIGHT

Display unit

KTN-70A / 70AF

Unit: mm (inch)

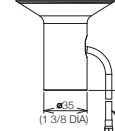
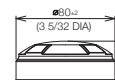


Weight: 70A / 1.8 kg(4.0lb)
70AF / 2.0 kg(4.4lb)
[inclusive base]

Antenna unit

GP80-10M

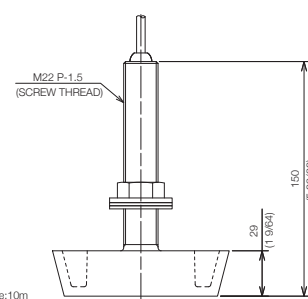
M2x2 screw depth 23



Weight: 0.45 kg(0.99lb)
[Cable is included]

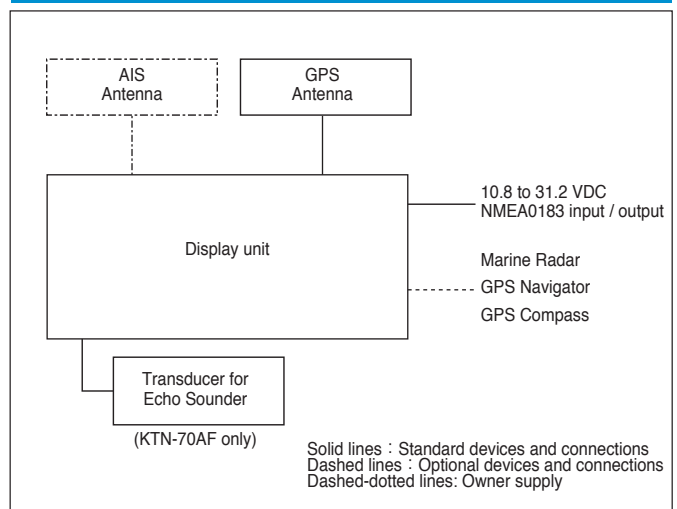
Transducer

TD-500T-3E



Weight: 1.3 kg(2.9lb)

CONNECTIONS



Solid lines : Standard devices and connections
Dashed lines : Optional devices and connections
Dashed-dotted lines: Owner supply

• Design and specifications are subject to change without notice.

KODEN Kodens Electronics Co., Ltd.

Tamagawa Office:
2-13-24 Tamagawa, Ota-ku, Tokyo, 146-0095 Japan
Tel: +81-3-3756-6501 Fax: +81-3-3756-6509
Uenohara Office:
5278 Uenohara, Uenohara-shi, Yamanashi, 409-0112 Japan
Tel: +81-554-20-5860 Fax: +81-554-20-5875

overseas@koden-electronics.co.jp

www.koden-electronics.co.jp



Safety precaution

To ensure proper and safe use of the equipment, please carefully read and follow the instructions in the Operation Manual.

For details, please contact: