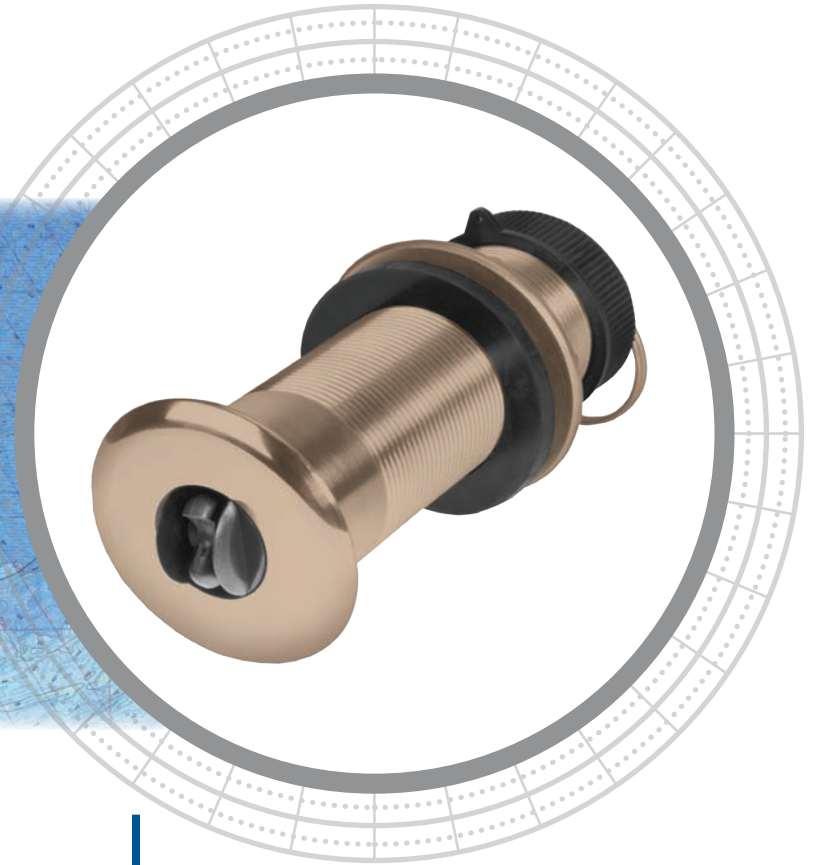


ST700



Minimizes Drag

The ST700 has a long 152 mm (6") stem that allows installation in boats with thick hulls or steep deadrise hulls. This nearly flush housing minimizes drag with only 5 mm (3/16") extending outside the hull.

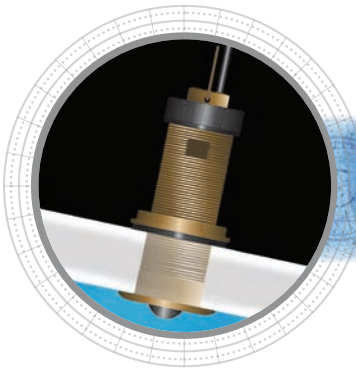
Thru-Hull Low-Profile Long-Stem Speed Sensor

Applications

- Thick fiberglass construction
- Thick hulled wooden boats
- Vessels with high deadrise hulls

Features

- Self-closing sea valve reduces waterflow when paddlewheel is removed for cleaning
- Right angle cable exit offers low headroom and protection when transducer is stepped on
- Included rubber washer allows tightening of the hull nut to irregular hull surfaces
- Blanking plug is supplied with each unit
- Speed and temperature
- Plastic or bronze housings available



Technical Information

Nominal Pulse Rate	Per Nautical Mile	Per Knot
ST700 housing with fins	17,000 pulses	4.8 Hz
ST700 housing without fins	20,000 pulses	5.6 Hz

SPECIFICATIONS

Weight: 1.3 kg (2.8 lb)

Speed Range: 2 knots to 45 knots (2 MPH to 52 MPH)

Supply Voltage: 5 VDC to 25 VDC

Hole Diameter: 51 mm (2")

Sensor Cable Length: 10 m (33') standard

Options

- Intelligent circuitry for linearity correction and jitter control
- Remove fins alongside paddlewheel
- Two-wire speed circuit
- Pulse division circuitry or other pulse rates
- Over-voltage protection (OVP)
- Bronze cap nut for bronze housing

DIMENSIONS

