

ZXF-N2000

FIRE-FIGHTER'S PORTABLE RADIOTELEPHONE

- Meet IMO MSC.338 (91) and IMO MSC.149 (77) regulation.
- Designed for onboard fire-fighter's communication
- Ex-proof certificated
- CCS type approval



According to IMO MSC.338 (91) & SOLAS Chapter II-2, regulation 10.10.4:

Fire-fighter's communication

For ships constructed on or after 1 July 2014, a minimum of TWO two-way portable radiotelephone apparatus for each fire party for fire-fighter's communication shall be carried on board. Those two-way portable radiotelephone apparatus shall be of an explosion-proof type or intrinsically safe. Ships constructed before 1 July 2014 shall comply with the requirements not later than the first survey after 1 July 2018.

Ship's construction date	Carry-on date
Before 1 July 2014	Not later than the first survey after 1 July 2018.
On or after 1 July 2014	When constructed.



SPECIFICATIONS

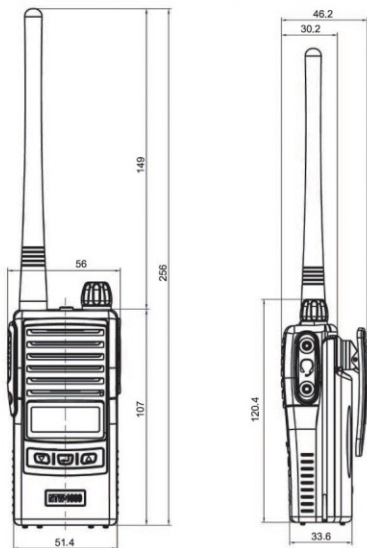
● Frequency & Channel

Frequency range: 156.300 ~ 156.875MHz
 Channel Space: 25kHz
 Usable Channels: ITU Channels

● Technical Features

Output Power: High 3.0W / Low 0.5W
 Communication Methods: Simplex
 Warming Up Time: Within 5 Sec
 Squelch Control: ✓
 Dual Watch: ✓
 Key Locking: ✓
 Battery Save Mode: ✓
 Beep Establishment: ✓
 Location Indication: ✓
 Operating Temperature: -20°C ~ +60°C
 Dimension: 51 (W) × 33 (D) × 256 (H) mm
 Weight: 280g (Transceiver+Battery)
 IP Grade: IP66
 Ex code: Exib IIB T3 Gb
 Battery Capacity: 2200mAh
 Battery Voltage: 7.2V (DC)

SIZE DIMENSION



EQUIPMENT LIST

● STANDARD

- Transceiver & Antenna 1 set
- Rechargeable Battery Pack 1 pc
- Battery Charger 1 pc
- AC/DC adaptor 1 pc
- Belt Clip 1 pc
- Wrist Rope 1 pc

● OPTIONS

- External PTT & Skull Mic/Headset 1 set



Rechargeable
Battery Pack



Belt Clip



Battery Charger



AC/DC Adapter



Wrist Rope



Skull Mic/Headset

External PTT

