



**IC-M220G** (With GPS Receiver)

**IC-M220** (Without GPS Receiver)

VHF MARINE TRANSCEIVERS

# High Quality, Excellent Performance

MADE IN  
JAPAN



IC-M220G

- **Compact Body**  
(W x H x D; 156.5 x 66.5 x 110.1 mm; 6.2 x 2.6 x 4.3 in)
- **Easy Installation in Limited Space**
- **Powerful Front Mount Speaker**  
Delivers Loud and Clear Audio
- **Built-in Class D DSC with a CH70**  
Dedicated Receiver
- **Intuitive Operation with**  
Icom's Marine User Interface
- **Built-in GPS Antenna (IC-M220G)**
- **Easy-to-Read Full Dot-Matrix Display**
- **HM-237B Detachable**  
Hand Microphone Supplied
- **IPX7 Submersible Construction**  
(1 m depth of water for 30 minutes)
- **AquaQuake™ Prevents Audio Degradation**  
from a Water-Logged Speaker
- **Made in Japan Quality and Reliability**

**And more**

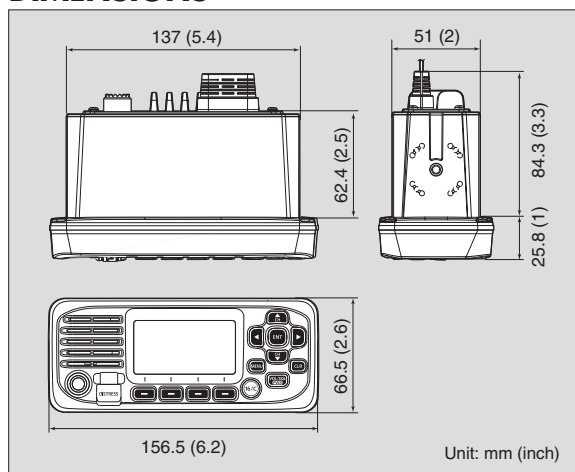
- Common NMEA interface for external GPS/NAV connection
- MA-500TR Class B AIS transponder compatible
- Tag scan and favorite channel functions
- Dual/tri-watch function for monitoring CH16 and/or call channel
- Priority scan function
- Display and keypad backlighting
- External speaker connection
- Weather channel with weather alert

**OPTIONS**

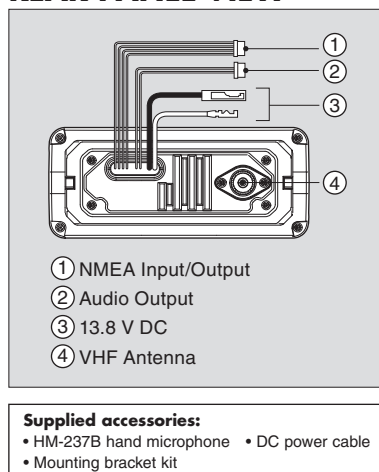


**HM-237B**  
HAND MICROPHONE  
Same as supplied.

**DIMENSIONS**



**REAR PANEL VIEW**



**SPECIFICATIONS**

GENERAL		
Frequency range	Tx	156.025–157.425 MHz
	Rx	156.050–163.275 MHz
	CH70	156.525 MHz
Usable channels	USA, CAN, INT, WX channels	
Type of emission	16K0G3E (FM), 16K0G2B (DSC)	
Power supply requirement	13.8 V DC nominal (11.7–15.9 V DC)	
Current drain (at 13.8 V DC)	Tx 25 W output	5 A
	Rx AF max.	1.2 A
Operating temperature range	–20°C to +60°C; –4°F to +140°F	
Antenna impedance	50 Ω (SO-239)	
Dimensions (W×H×D) (projections not included)	156.5 × 66.5 × 110.1 mm;	
	6.2 × 2.6 × 4.3 in	
Weight (approx.)	700 g; 1.5 lb (with HM-237B)	
NMEA formats	Input	RMC, GGA, GNS, GLL, VTG
	Output	DSC, DSE, RMC, GSA, GSV

TRANSMITTER	
Output power (at 13.8 V DC)	25 W, 1 W
Max. frequency deviation	±5 kHz
Frequency tolerance	±5 ppm
Spurious emissions	Less than –60 dBc

RECEIVER		
Sensitivity	Main	–13 dBμ typ. (12 dB SINAD)
	DSC	–5 dBμ emf typ. (1% BER)
Squelch sensitivity	Less than –10 dBμ	
Adjacent channel selectivity	Main	More than 68 dB
	DSC	More than 68 dBμ emf (1% BER)
Intermodulation	Main	More than 63 dB
	DSC	More than 55 dBμ emf (1% BER)
Hum and noise	More than 40 dB	
Audio output power (at 10% distortion, 4 Ω load)	4.5 W typical	

Measurements made in accordance with TIA/EIA-603. All stated specifications are subject to change without notice or obligation.

**Applicable IP Rating**

Ingress Protection Standard	
Water	IPX7 (Waterproof protection)



**Designed, engineered and Made in Japan.**

Icom has its own manufacturing facilities in Japan. All Icom products are tested to pass rigorous in-house tests as well as environmental tests at the Wakayama Icom plant before shipping.



The "3D GENUINE Icom label" is attached to the rear panel.

Icom, Icom Inc. and Icom logo are registered trademarks of Icom Incorporated (Japan) in Japan, the United States, the United Kingdom, Germany, France, Spain, Russia, Australia, New Zealand and/or other countries. AQUAQUAKE is a trademark of Icom Incorporated. All other trademarks are the properties of their respective holders.

**Icom Inc.**

1-1-32, Kamiminami, Hirano-Ku, Osaka 547-0003, Japan Phone: +81 (06) 6793 5302 Fax: +81 (06) 6793 0013

**Count on us!**

Icom America Inc.

Icom (Europe) GmbH

Icom (Australia) Pty. Ltd.

Your local distributor/dealer:

Icom Canada

Icom Spain S.L.

Icom Brazil

Icom (UK) Ltd.

Icom France s.a.s.