

USER'S MANUAL

ATV20



ALL-TERRAIN SOUND SYSTEM



BOSS[®]
AUDIO SYSTEMS

REBEL
POWER SPORTS

TABLE OF CONTENTS

THIS PACKAGE CONTAINS -----	2
INFORMATION TO THE USER -----	3
BEFORE YOU START -----	4
GETTING TO KNOW YOUR ATV20 -----	5
OPERATION -----	6
INSTALLATION -----	7
TROUBLE SHOOTING -----	8
DIMENSIONS -----	8
WIRE DIAGRAM -----	9
SPECIFICATIONS -----	9

SUPPORT

All rights reserved. No part of this publication may be reproduced, distributed, or transmitted in any form or by any means, including photocopying, recording, or other electronic or mechanical methods, without the prior written permission of BOSS AUDIO SYSTEMS.

All other trademarks and trade names are those of their respective owners.

Copyright © 2018 BOSS AUDIO SYSTEMS.

Thank you for purchasing this



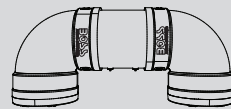
ATV20 All-Terrain Sound System

Please read through these instructions carefully so you will know how to operate your model properly.

After you have finished reading the instructions, keep this document in a safe place for future reference.

THIS PACKAGE CONTAINS

1- ATV20 All-Terrain Speaker System



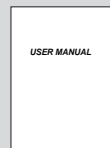
2- Mounting Straps + 2 Nylon Zip Straps



1- Power Accessory Extension Adaptor



1- User Manual



1- Warranty Card



INFORMATION TO THE USER

FCC COMPLIANCE STATEMENT

This device complies with part 15 of the FCC Rules. Operation is subject to the following two conditions:

- (1) this device may not cause interference, and
- (2) this device must accept any interference, including interference that may cause undesired operation of this device.



CAUTION!!
ADJUSTMENT OR ALTERATIONS OF THIS DEVICE MAY RESULT
IN HAZARDOUS OPERATION.

BEFORE YOU START

IMPORTANT SAFETY PRECAUTIONS

- Do not operate mobile equipment while driving a motorized vehicle – safe driving and safety consideration of others should always be your highest priority.
- In the event you should notice smoke, strange noises or odor from this product, or any other abnormal signs, immediately turn off the power and consult your dealer or the nearest authorized **BOSS AUDIO SYSTEMS** Service Center. Using this product in this condition may result in permanent damage to the system.
- Set your volume control at a low setting, then slowly increase the sound until you can hear it comfortably without distortion, or ear discomfort.
- **BE SURE TO OBSERVE THE FOLLOWING GUIDELINES:**
 - Do not turn up the volume so high that you can't hear what's around you.
 - Use caution or temporarily discontinue use in potentially hazardous situations.

INSTALLATION PRECAUTIONS

WARNING - Always consult a professional installer

- Do not attempt to install or service this product by yourself. Installation or servicing of this product by persons without professional training and experience in electronic equipment and motorized vehicle accessories may be dangerous and could expose you to the risk of electric shock, injury or other hazards
- Refer any repairs to a qualified **BOSS AUDIO SYSTEMS** Service Center
- The **ATV20** can be powered from a vehicles cigarette lighter / auxiliary power port, or hard wired directly to the battery through an optional relay / accessory switch
- When wiring directly to the vehicles battery, be sure to disconnect the batteries negative terminal wire before starting any wiring procedures, it is suggested that an optional fuse and fuse holder (not included) with minimum rating of 15 Amps be in line with the positive battery terminal
- The ground cable length should not exceed 18-inches (See wiring diagram)
- The **ATV20** has a weather resistant design, it should not be submerged in or under water under any circumstances
- Use only the installation parts provided with the **ATV20**
- Wash with a mild soap or detergent and lukewarm water using a clean sponge or a soft cloth. Rinse well with clean water.

“Don'ts” - Very Important

- DON'T clean in hot sun or on very hot days.
- DON'T use abrasive or highly alkaline cleaners on the main body
- DON'T scrape the main body with razor blades, or other sharp instruments
- DON'T ever use, gasoline, acetone or carbon tetrachloride



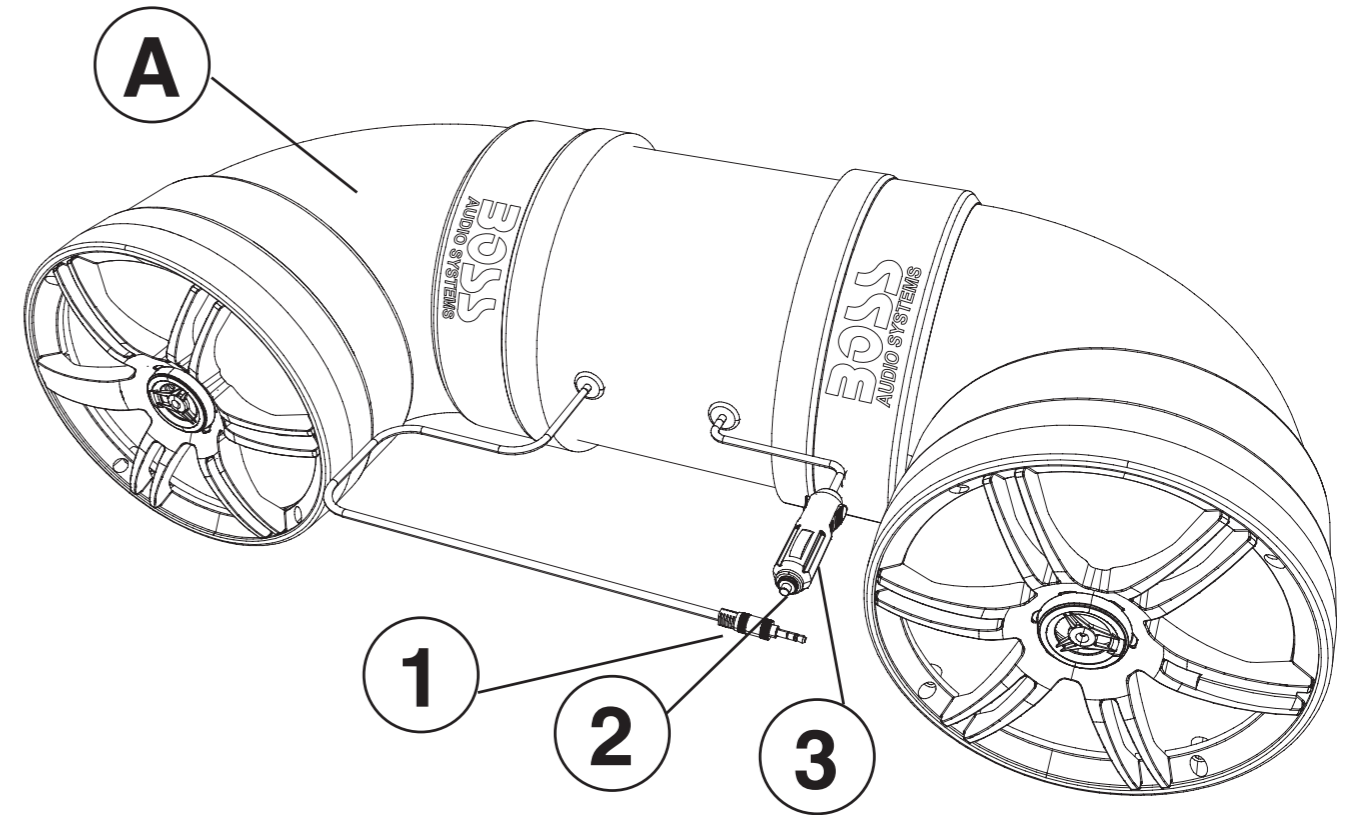
CAUTION!!

Using other mounting methods may void this warranty

4

BOSS[®]
AUDIO SYSTEMS

GETTING TO KNOW YOUR ATV20



A

BOSS AUDIO ATV20

1

3.5mm AUX-INPUT

2

CIGARETTE POWER CABLE ADAPTOR

3

LED POWER INDICATOR



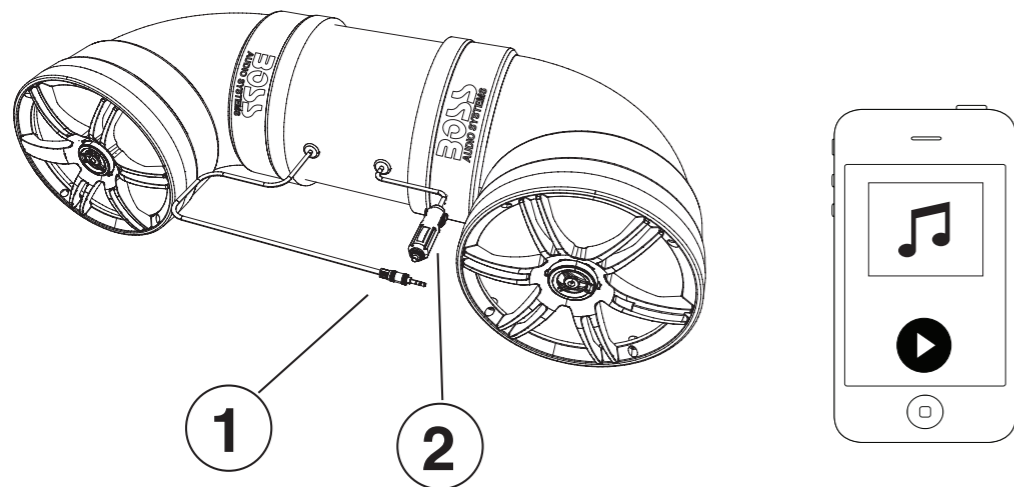
Tips:

To avoid battery exhaustion, be sure to occasionally run the vehicles engine while using this product.
Using this product without running the engine can drain the battery.

5

BOSS[®]
AUDIO SYSTEMS

OPERATION



ATV20 can play audio from any device that has a 3.5mm headphone audio jack.

AUX-IN OPERATION

- 1) Power on the **ATV20** by plugging in the male cigarette lighter adaptor into **2** a female power accessory receptacle.
- 2) Connect the integrated 3.5mm **AUX-IN** cable **1** to your device's headphone jack.
- 3) Route the wire back to **ATV20**, and secure your device.

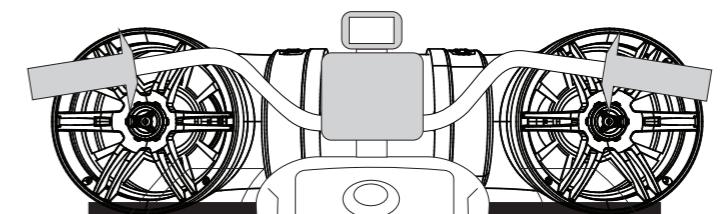
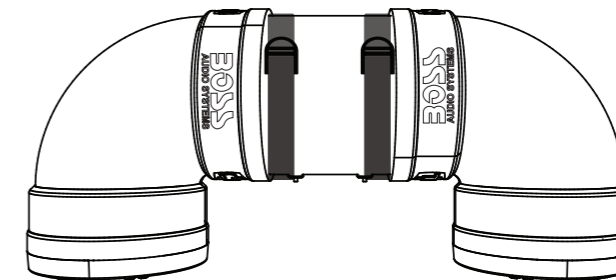
VOLUME CONTROL

- 4) To **raise or lower** the **volume** use your device volume controls.

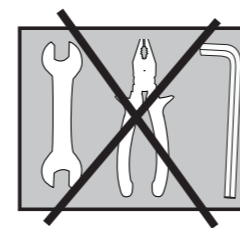
Tips: For maximum audio performance, ensure your device headphone volume is set to a minimum 75% level before stowing.

INSTALLATION

- 1) Use the supplied adjustable straps to secure to rails or roll bars.
- 2) Always recheck straps before every ride.



FOR ILLUSTRATION PURPOSES
YOUR VEHICLE MAY VARY



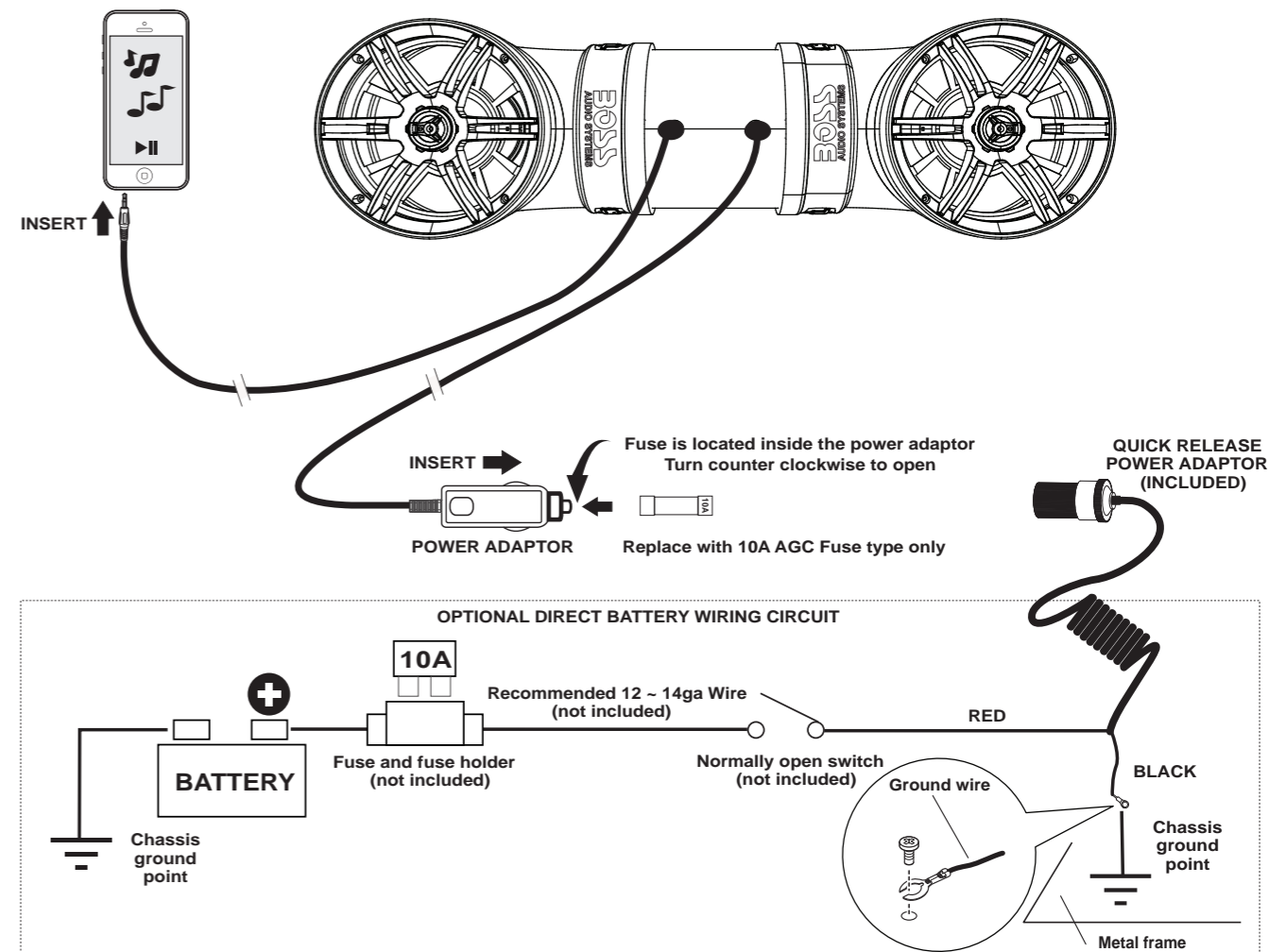
NO SPECIAL TOOLS REQUIRED

TROUBLE SHOOTING

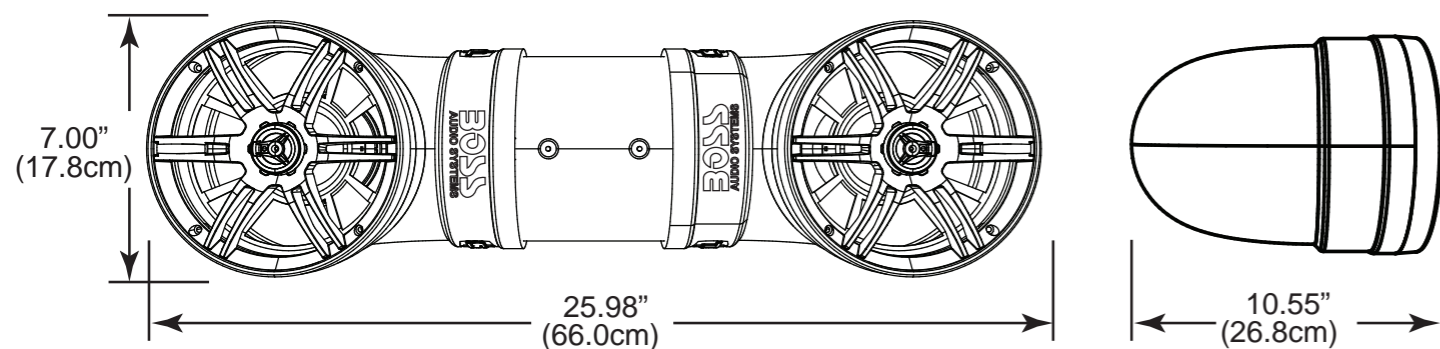
TROUBLE	CAUSE	SOLUTION
Unit will not turn on	The fuse is blown	Check / replace the fuse
	Main acc switch not engaged	Turn switch to on position
No sound is heard	Device volume is low / muted	Turn the volume level up
	Device is paused or muted	Check your Devices playing / volume status
The audio quality is poor	The Device headphone level is too low	Raise the headphone level to higher level on the main Device
Unit has become unresponsive	Power glitch or interference	Disconnect power for 10 seconds to reset

SUPPORT

WIRE DIAGRAM



DIMENSIONS



SPECIFICATIONS

SPEAKERS

- Dimensions: 6.5" / 165.1mm
- Cone Type: PP CARBON + RUBBER SURROUND
- Tweeter Size: 1" PEI SOFT DOME

AMPLIFIER

- Class D
- Maximum Output Power: 450 Watts
- Input impedance: 10kΩ
- Frequency Response: 45Hz-22kHz

GENERAL

- Operational Power: 12VDC (10-16V allowable)
- MAX Current Draw: 10A
- Replacement Fuse: 10A AGC TYPE
- Color: Black
- Weight: 10lbs / 4.54Kg
- Dimensions cm WxHxD: 66.0 x 17.8 x 26.8
- Dimensions Inches WxHxD: 25.98 x 7.00x 10.55

SPECIFICATIONS SUBJECT TO CHANGE WITHOUT NOTICE

USER MANUAL

ATV20

ALL-TERRAIN SOUND SYSTEM



BOSS Audio Systems
3451 Lunar Court • Oxnard, CA 93030



iPod / iPhone are trademarks of Apple Inc. registered in the U.S. and other countries.
BOSS Audio Systems is not affiliated with Apple Inc.

All rights reserved. No part of this publication may be reproduced, distributed, or transmitted in any form or by any means, including photocopying, recording, or other electronic or mechanical methods, without the prior written permission of BOSS AUDIO SYSTEMS Inc.

Copyright © 2018 BOSS AUDIO SYSTEMS Inc.
0218 VER:1.0 EN



PRINTED IN CHINA