

HDS



()

1"

5/8"

#29 (0.136")

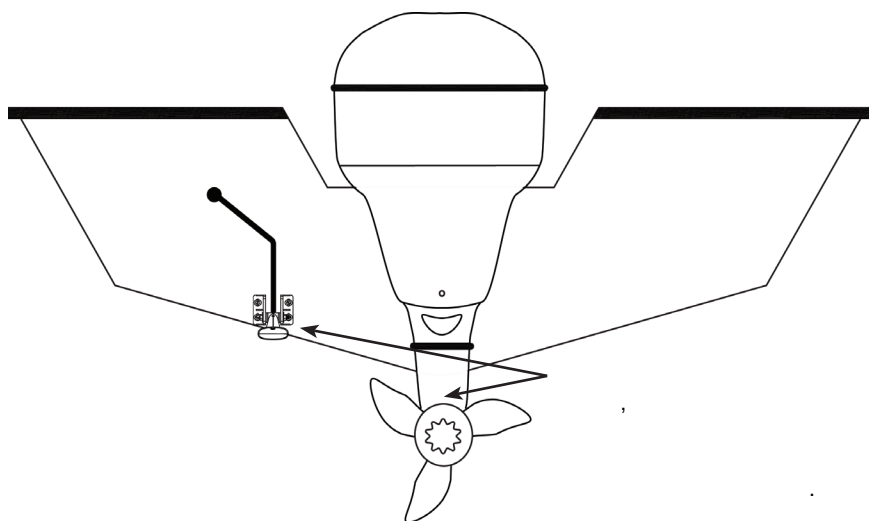
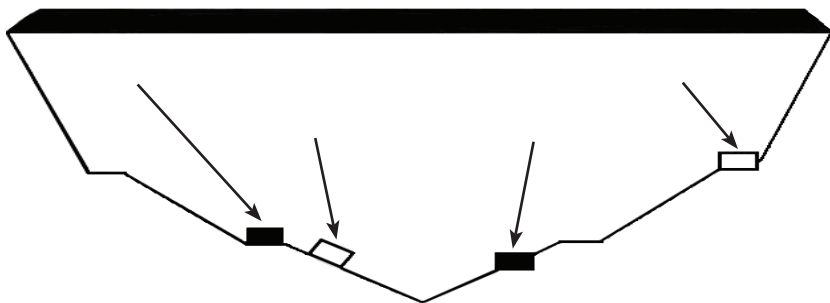
#20 (0.161")

TMB-S,

,60 160

,60 160

1.

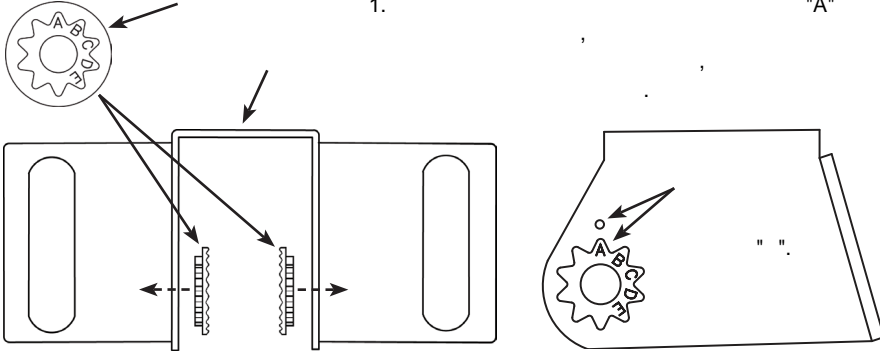


2.

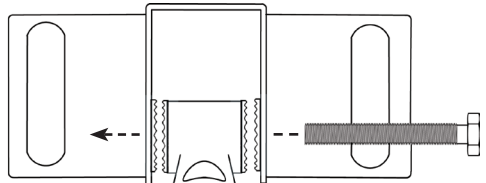
A-E

1.

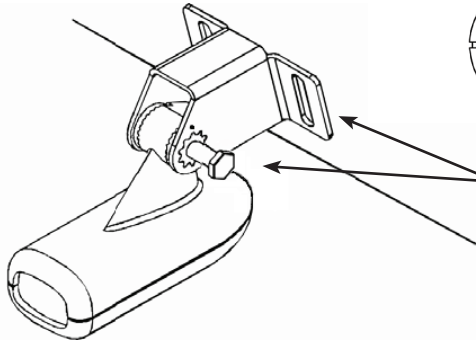
"A"



2.



3.

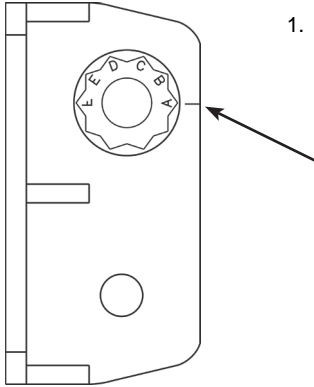


"A"

"B",



A-F

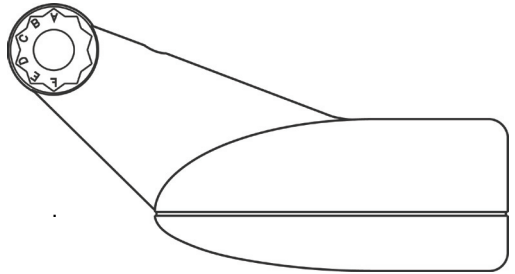


1.

"A",

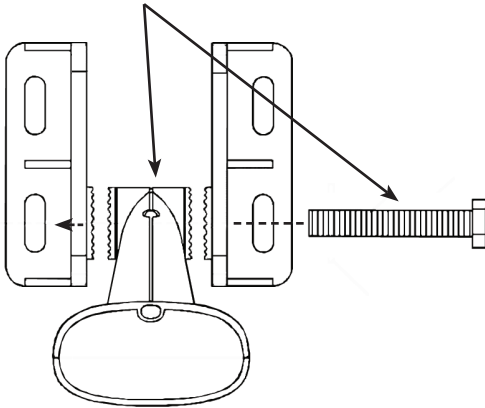
2.

12-



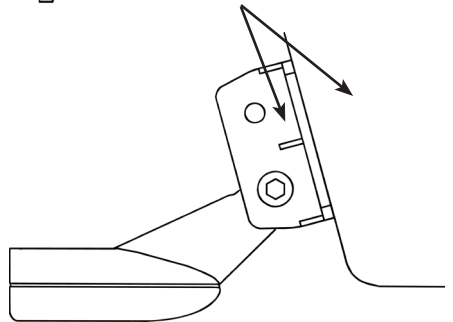
"A"

3.



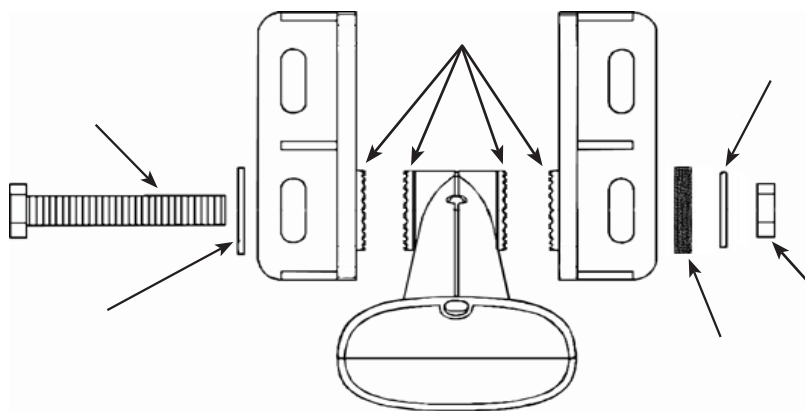
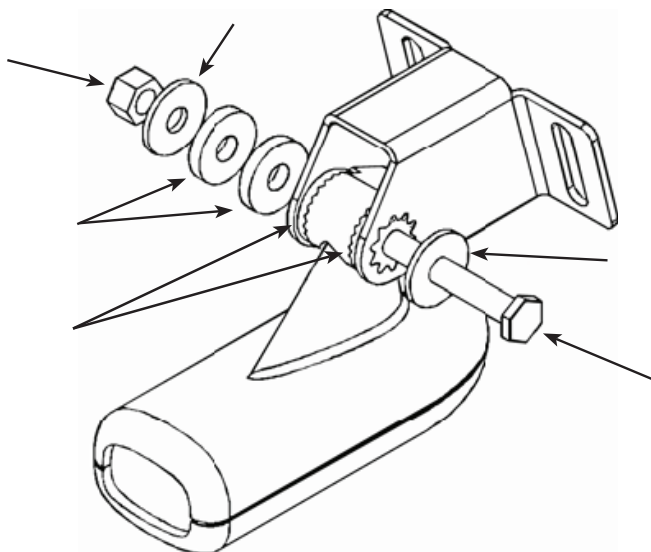
"B",

4.

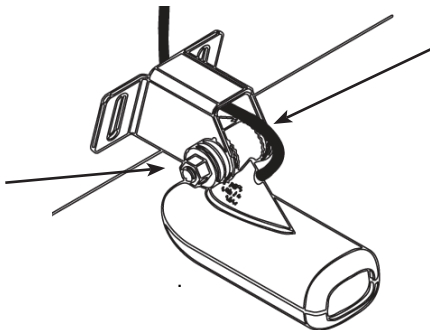
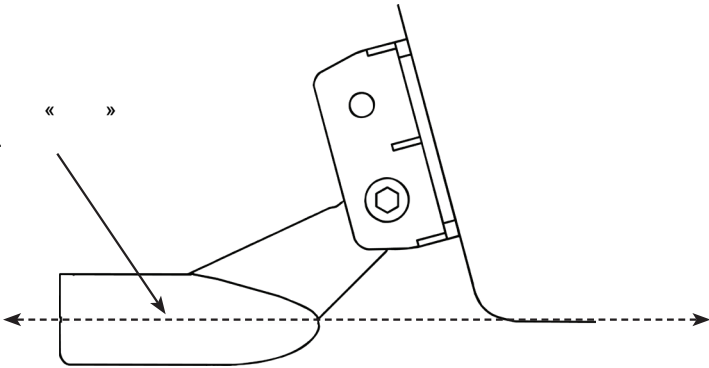
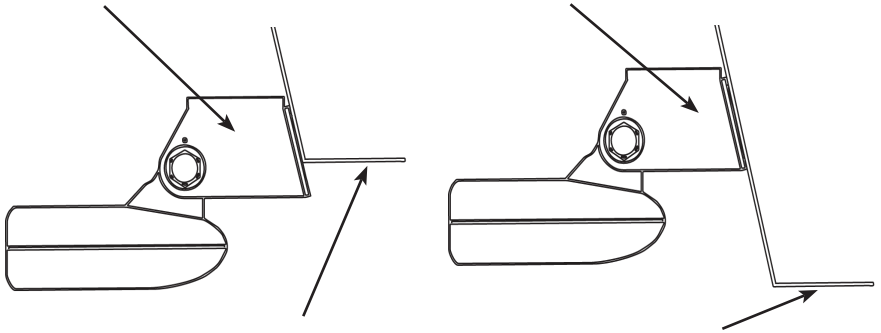


"A"

3.



4.



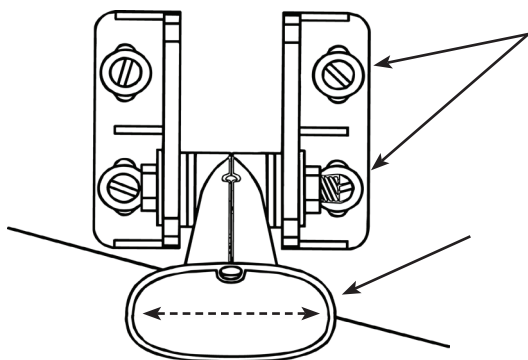
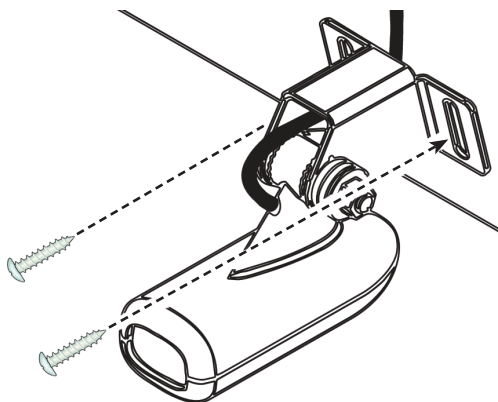
1.

2.

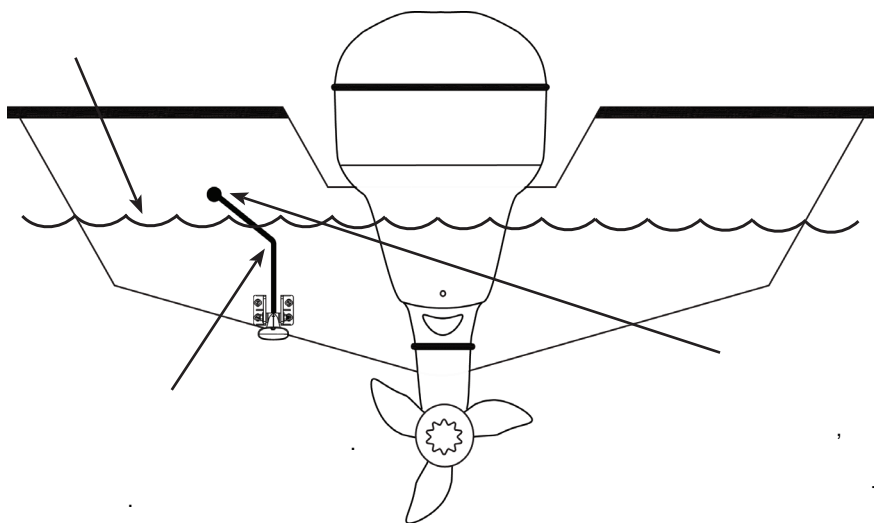
(#10).

#20 (#12).

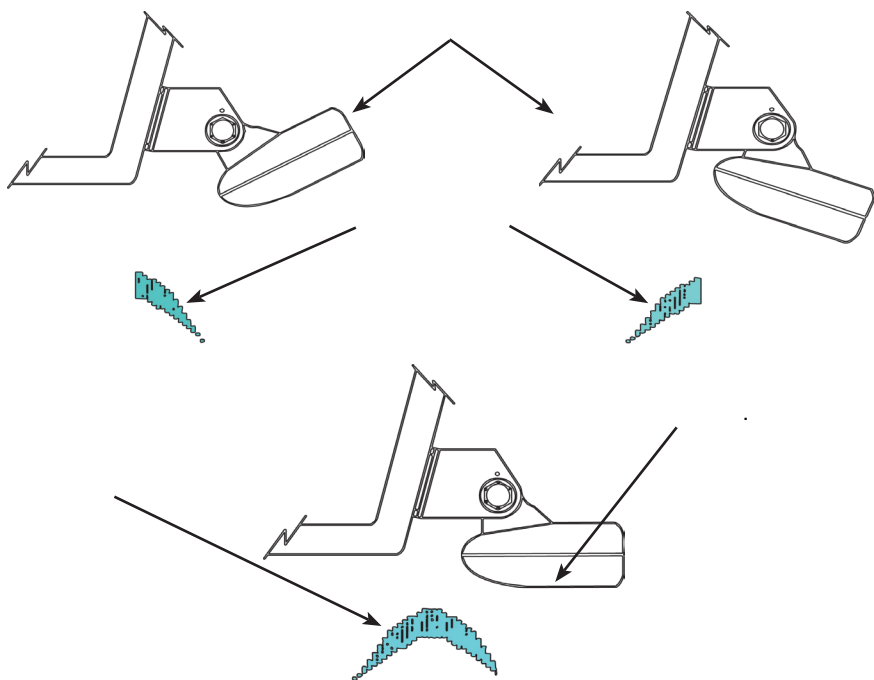
#29



V-



5.



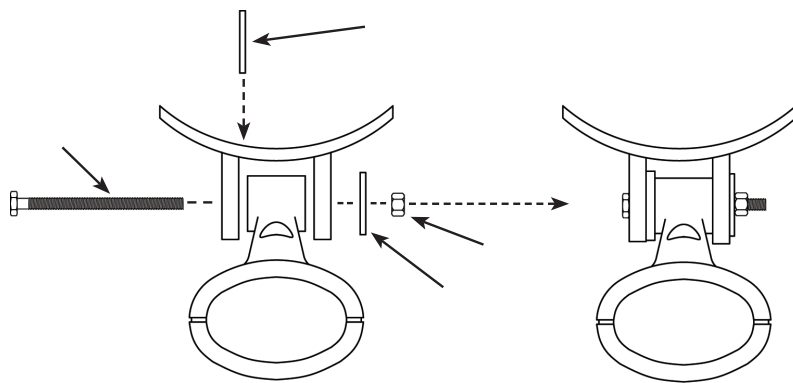
TMB-S,

TMB-S

TMB-S (51-45)

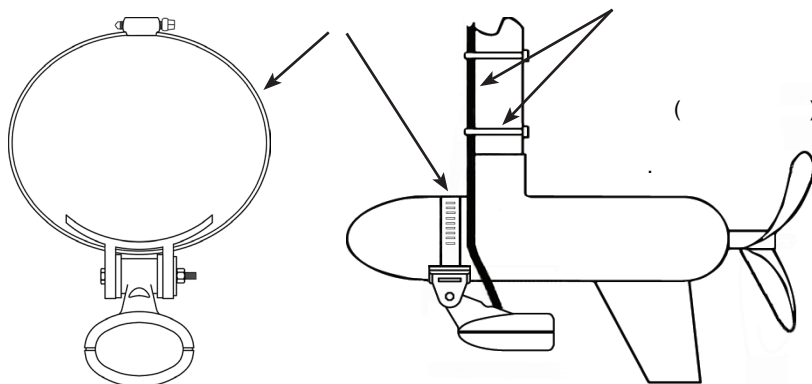
Lei www.lei-extras.com.

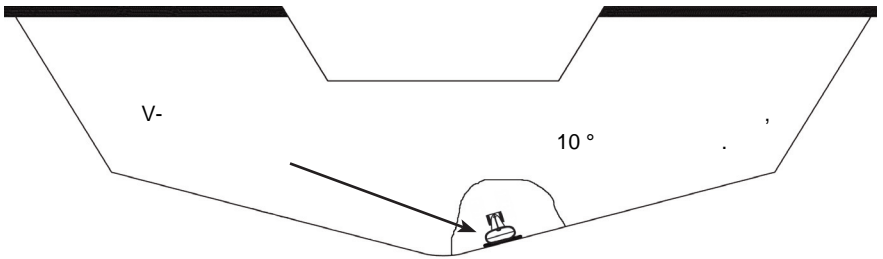
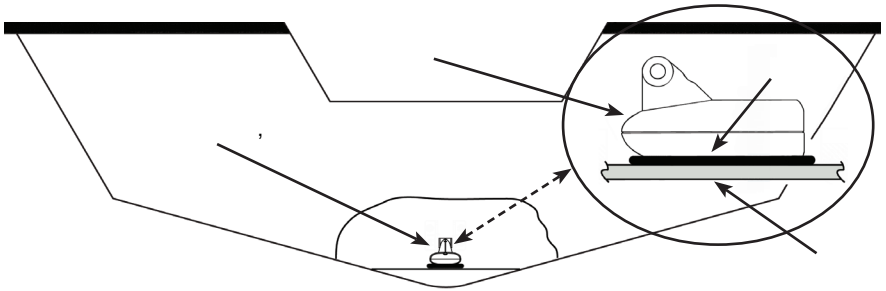
TMB-S

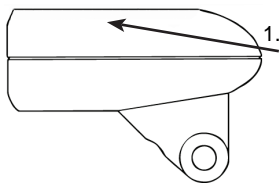


TMB-S (

),

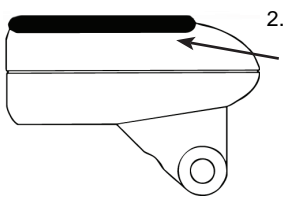






60

160



()

1-1/2

3.

(

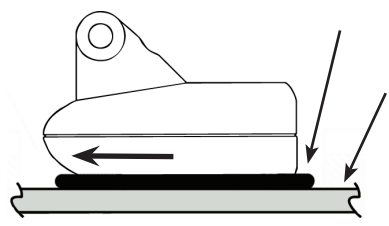
1-16"

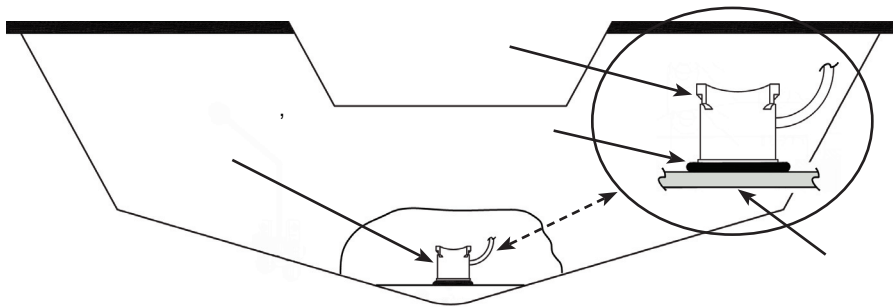
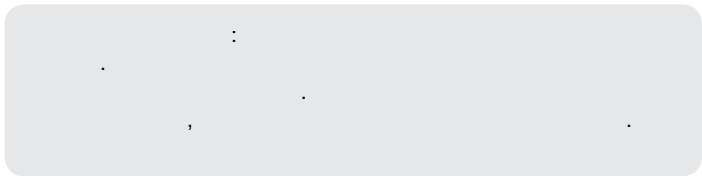
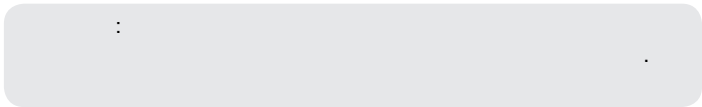
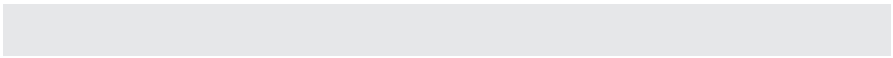
(

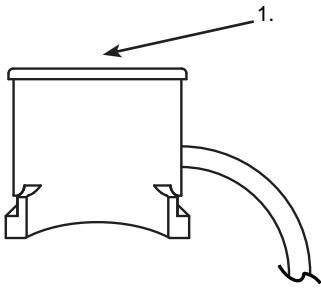
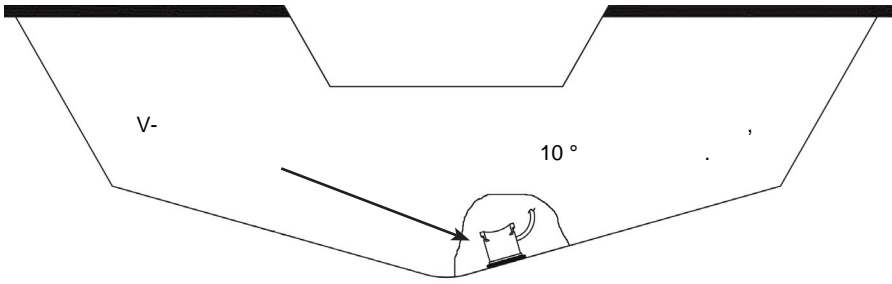
1.5

)

)

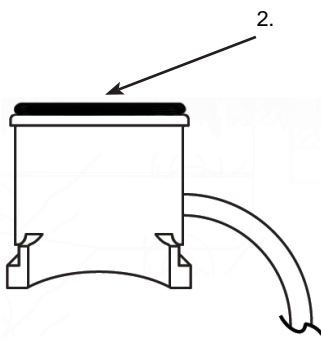






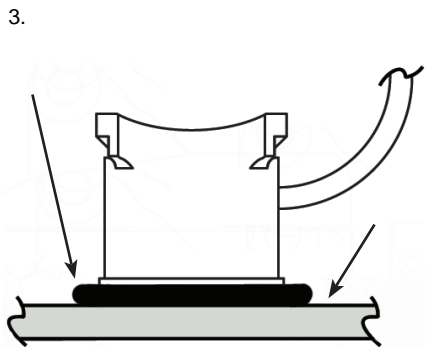
60

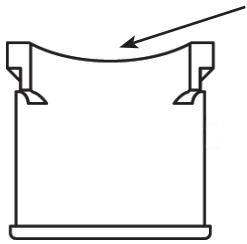
160



1-1/2

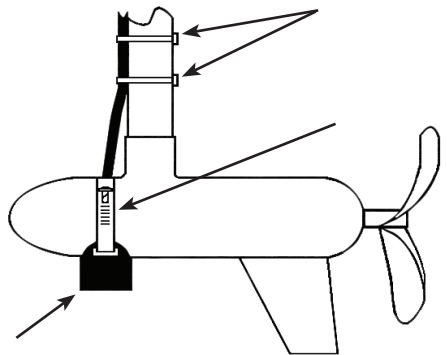
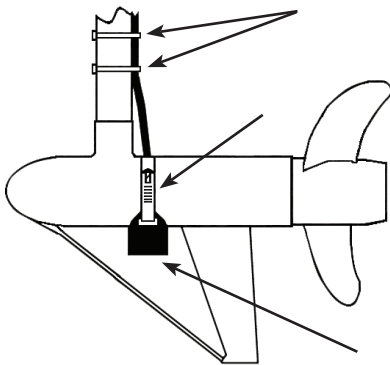
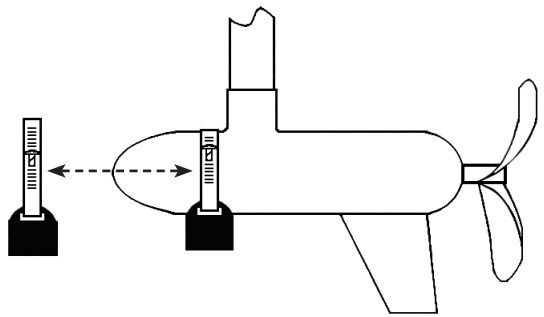
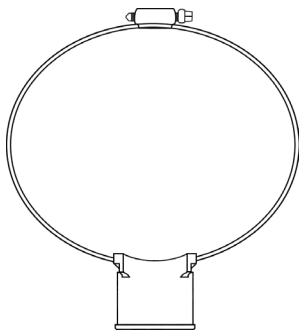
(1-16 1,5)



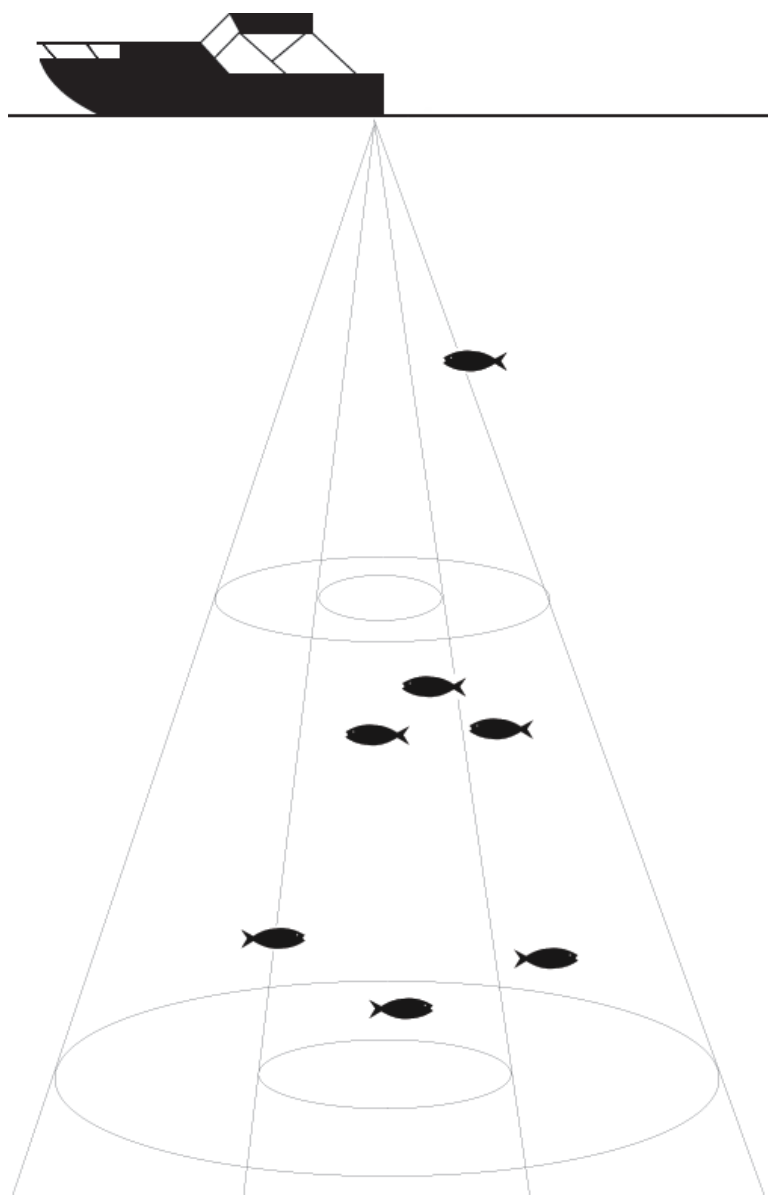


1.

2.

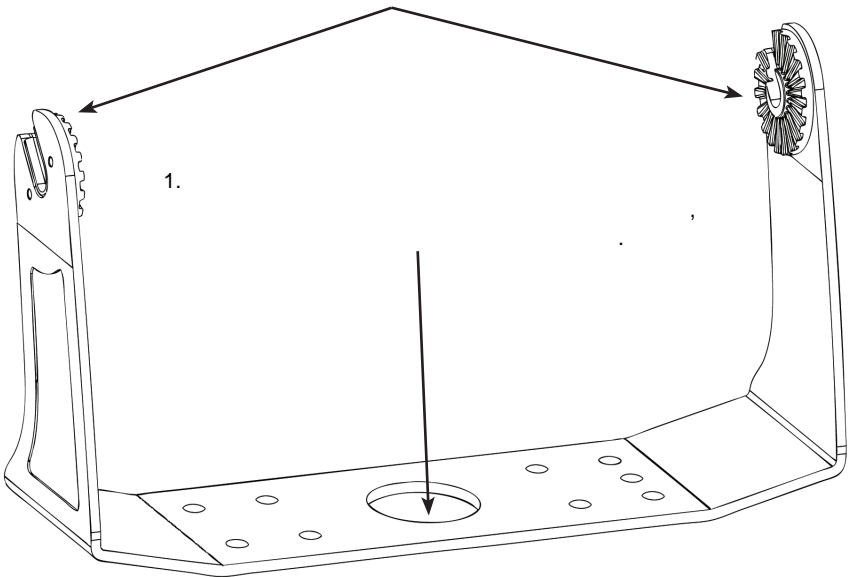


()

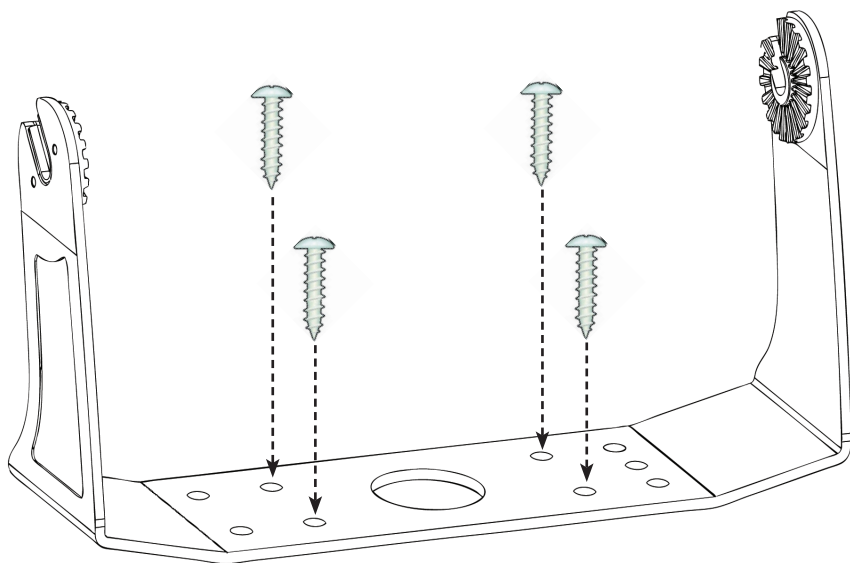




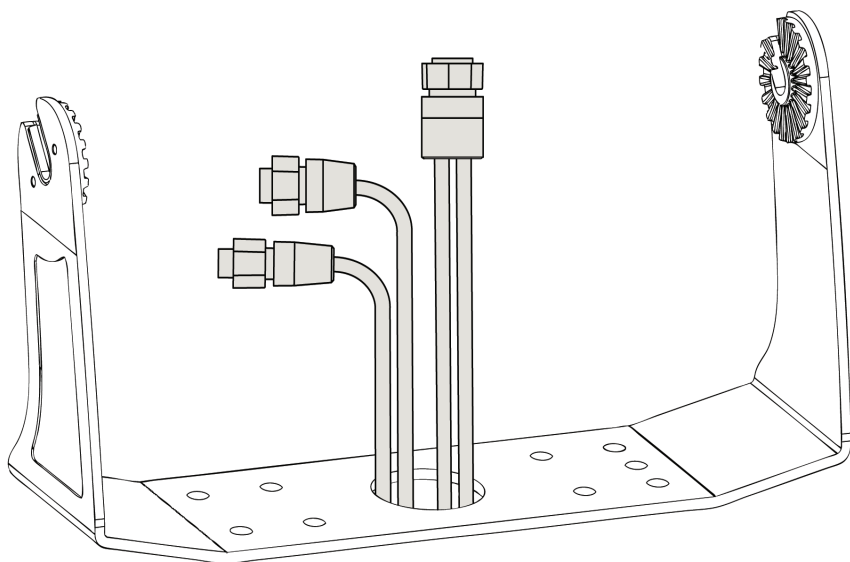
GPS,



2. 1- (25.4-)

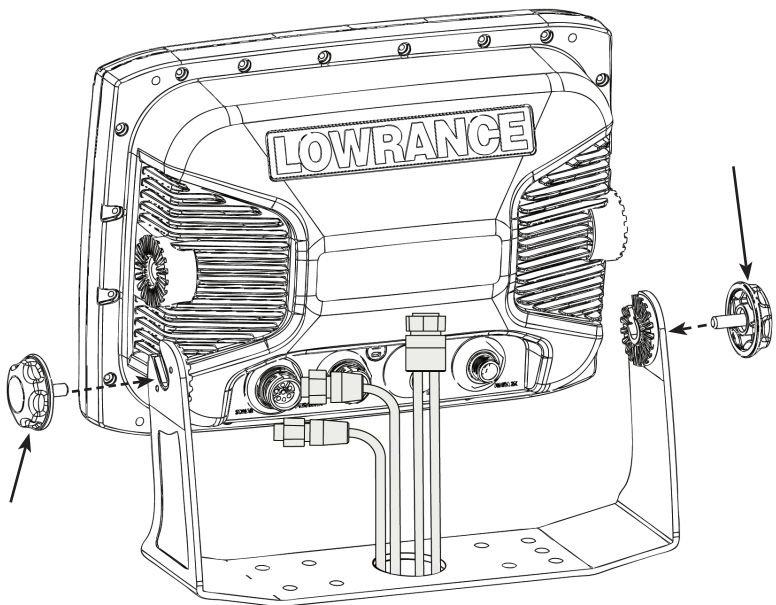


3.

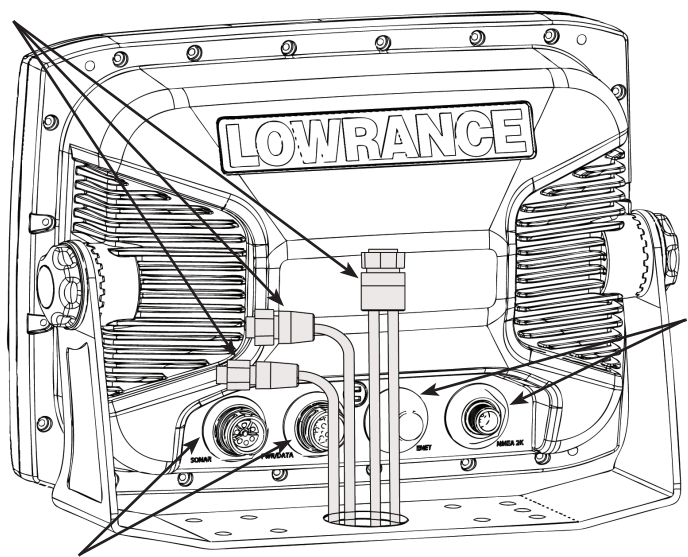


4.

1-

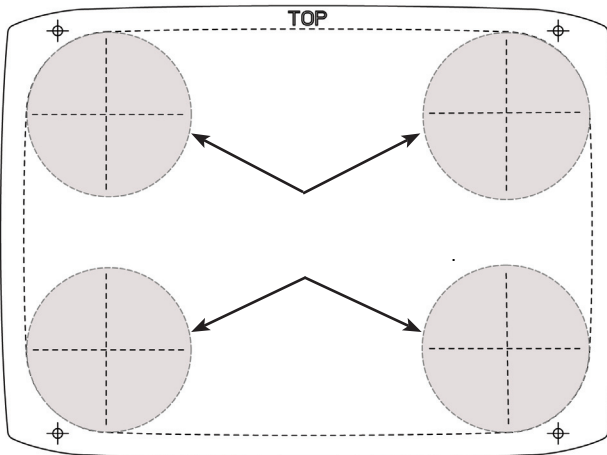
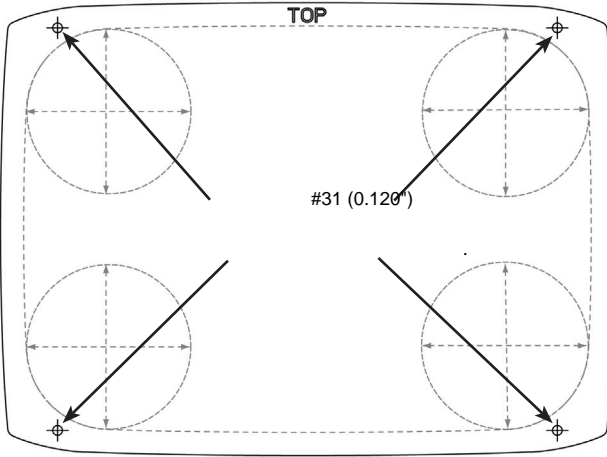


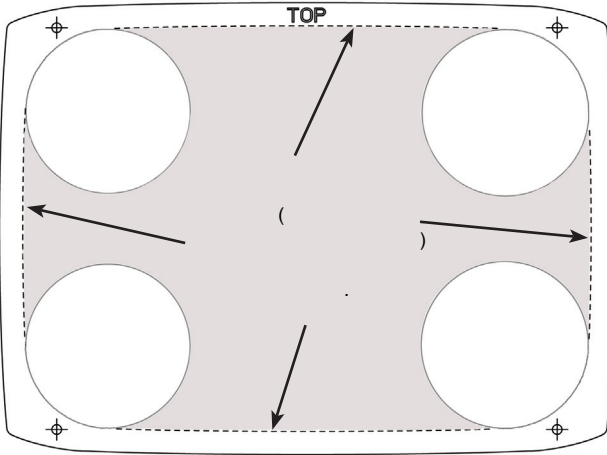
4.



5.

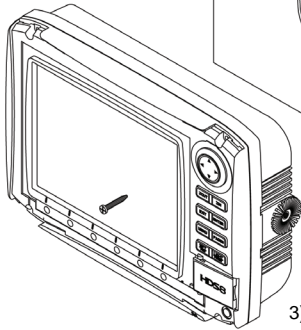
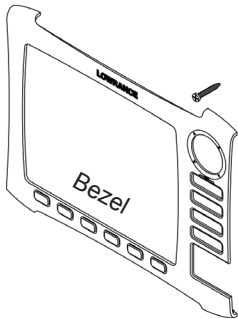
#6 - 20 X 1-1/2"





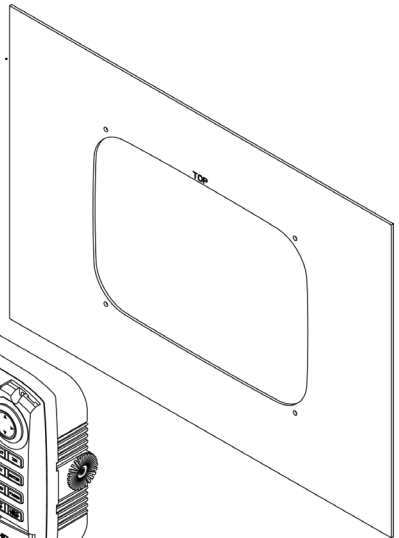
1)

2)

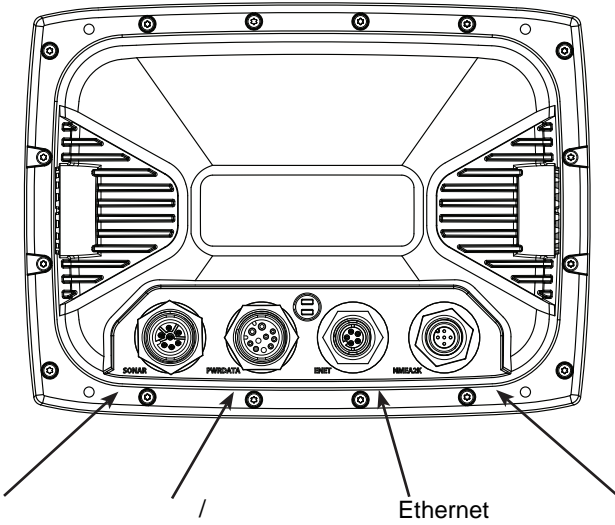


3)

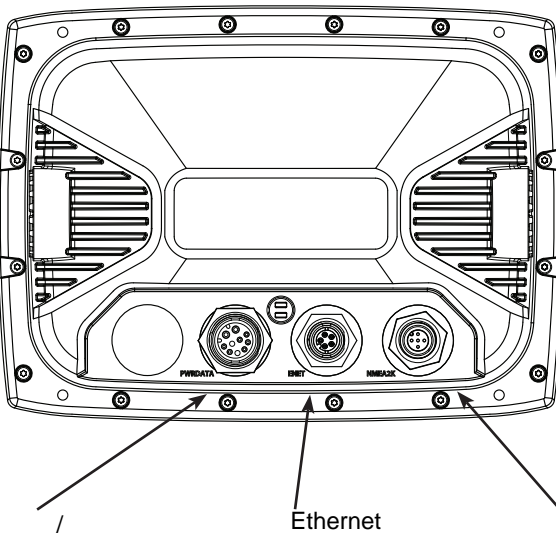
4)

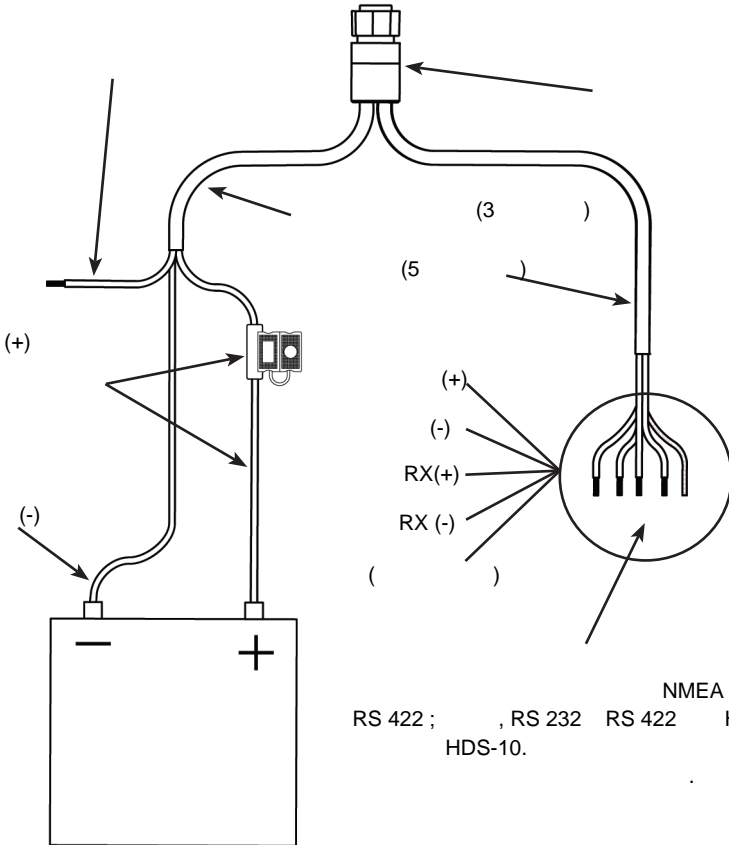
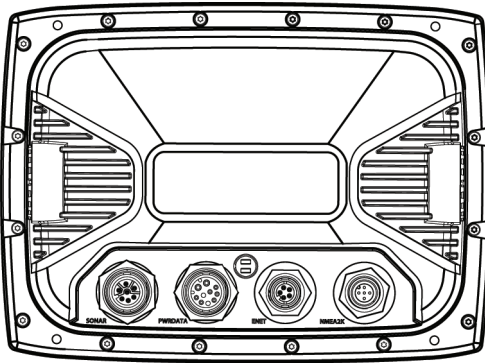


/GPS

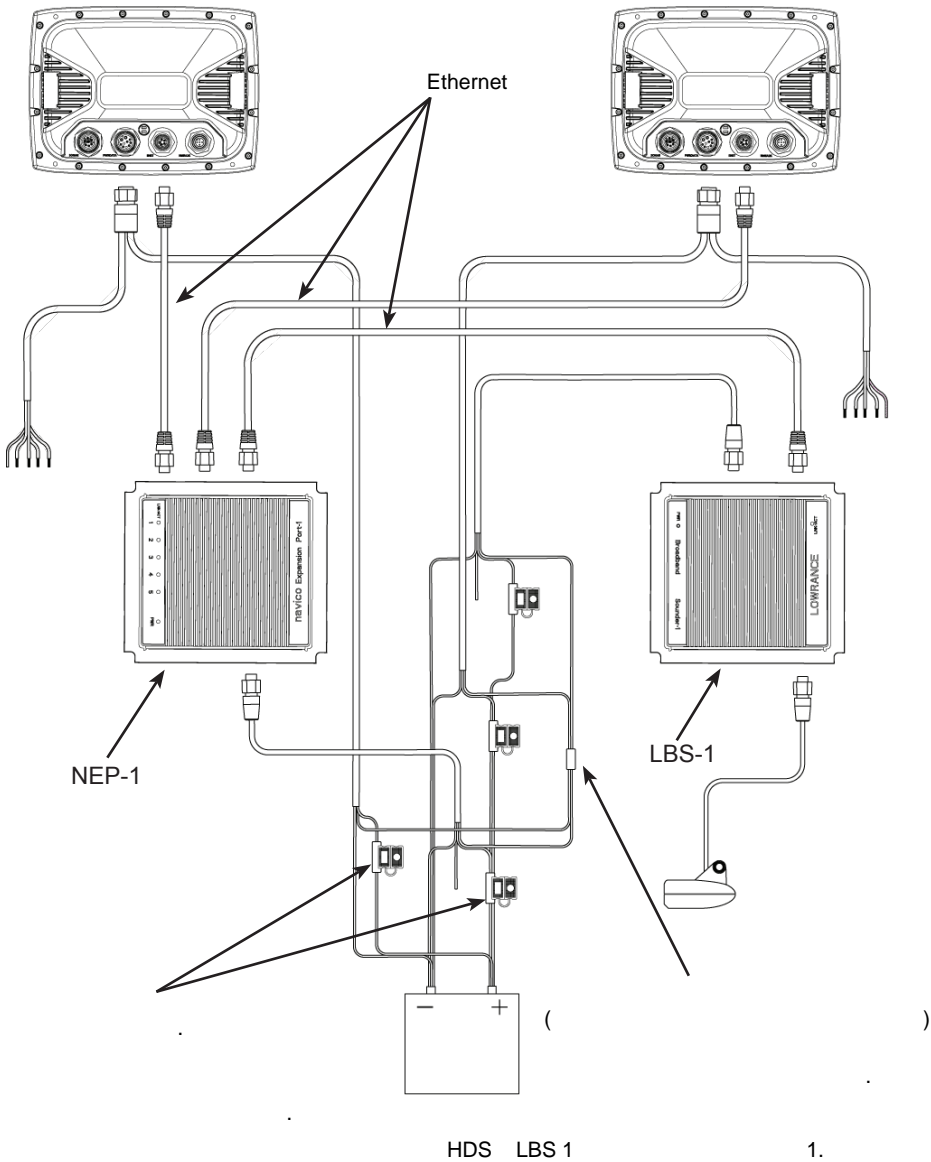


GPS





NMEA 0183,
 RS 422 ; , RS 232 RS 422 HDS-8
 HDS-10.



HDS LBS 1

1.

NMEA 0183 ()

NMEA0183 ,
2.0 (RS 422) NMEA 0183.

HDS-8 HDS-10

(Com 1)
RS 232

(Com 1 Com 2)

NMEA.

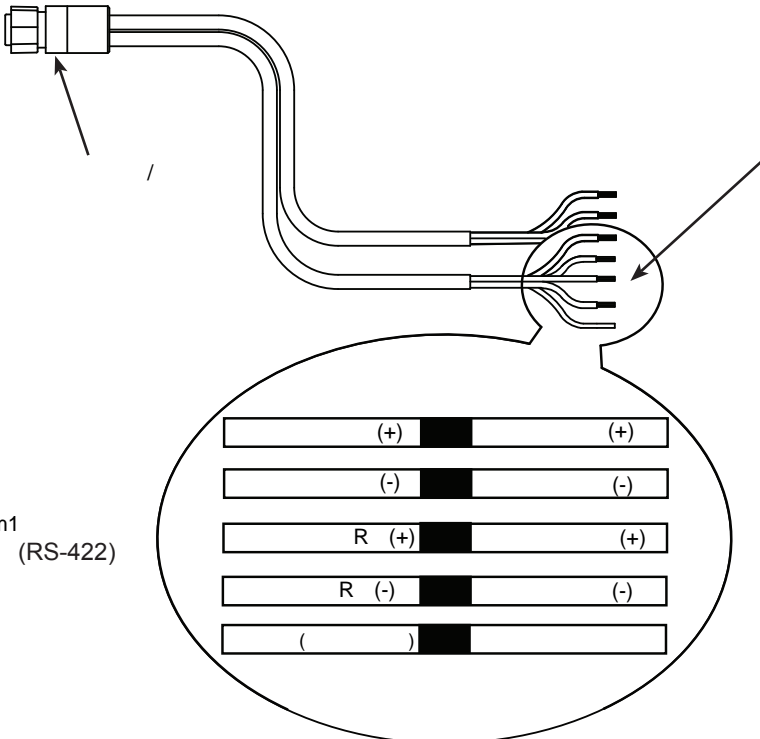
NMEA.

(/)

.

* Com 1 (RS 422)

() ,



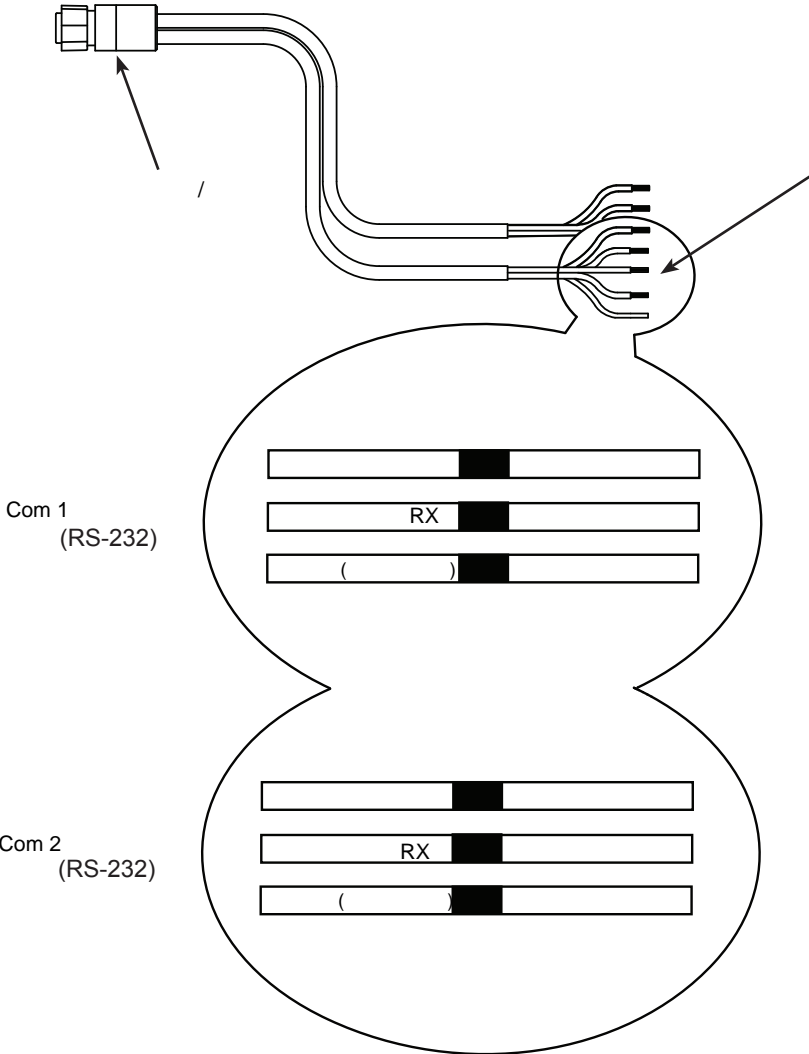
NMEA 0183 ()

* Com 1 (RS-232)

()

* Com 1 (RS-232)

()



NMEA 0183 ()

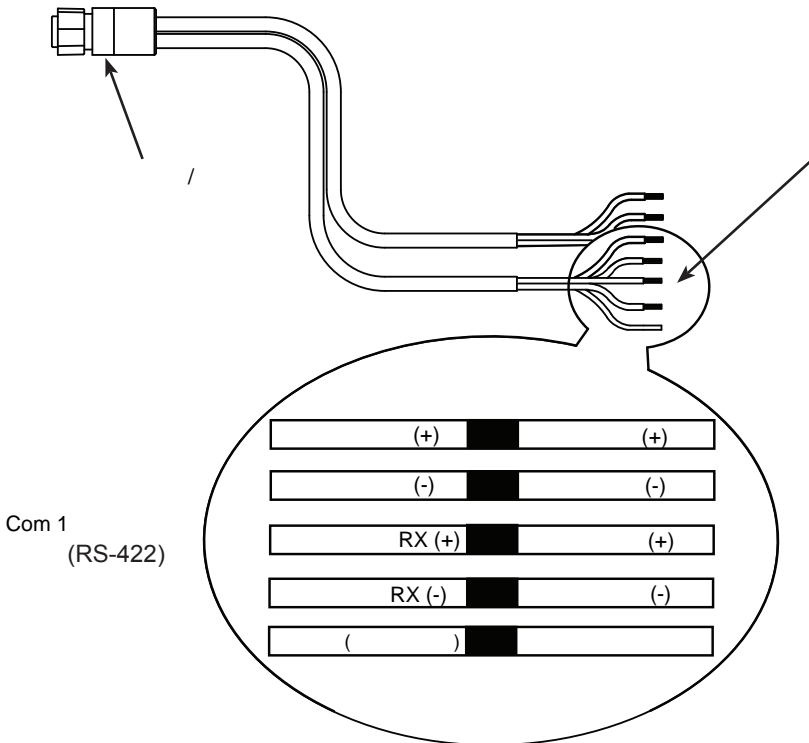
NMEA 0183 ,
2.0 (RS 422) NMEA 0183.

HDS-5 HDS-7

(Com 1)

NMEA.

* Com 1 (RS 422)



:

www.lowrance.com



© Copyright 2008
All Rights Reserved
Navico Holding AS