

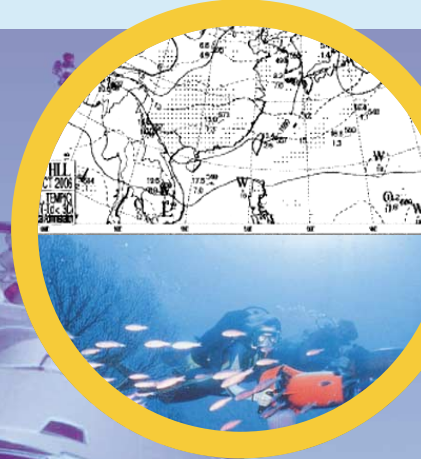
15.1"

# Multi Media GPS PLOTTER

# NAVIS 3800

-AUDIO/VIDEO/TV/USB PORTS-  
-WATCH MOVIES WITH BULTI-IN SPEAKER !!-

- ◆ High speed & safe data process with high speed CPU board
- ◆ C-MAP NT MAX™ available
- ◆ User friendly wire/wire-less remote controller & front key panel
- ◆ Use of duplex frequencies in common offering better judgement on minute fish group(OPTION)



**NEW**  
FISHFINDER(OPTION)



**NAVIS 3800**



**SAMYUNG ENC Co.,Ltd.**

# MULTI MEDIA GPS COLOR PLOTTER

# NAVIS 3800

## FEATURES

- Advanced digital electronic chart built-in & new design with samyung technology.
- 450 candela high quality display for special TFT LCD.
- Smooth conversion to other display prevents the map from disappearing while ZOOM IN/OUT.
- 360° auto electronic compass display, easy to recognize azimuth.
- C-MAP NT MAX™ available.
- 0.1° unit smooth conversion of Course up/Head up/North up/ True motion function.
- Offer customers own language & English/Chinese/Russian menu.

## SPECIFICATIONS

CONTENT	MODEL	NAVIS 3800
GPS RECEIVER	Receive frequency	L1 1575.42MHz(C/A CODE)
	Receive channel & tracking satellite	16 channels & 16 satellites
	Receive type	Digital 16 channel multi tracking type
	Receive sensitivity	-143dBm
	Accuracy Velocity	10M 2D RMS(HDOP<2) (SA OFF) / 0.1kt RMS (HDOP<2) (SA OFF)
PLOTTER	Display	15.1" COLOR VGA TFT LCD
	Resolution	1024×768 PIXELS
	Projection	Mercator drawing
	Effective range	below 85° of latitude
	Way point	20,000 points
	Effective range	0.25 mile ~ 5,000 mile(1/2000~1/37,500,000)
	Tracking memory interval	1sec~60minute(0.01~9,99NM) set-up
	Tracking capacity	20,000 points
	Mark	Event mark : 21 kinds / Mark capacity : 10,000 points /capacity for user's drawing of shoreline : 8,000points 16 land coloring capacity for user's marking of shoreline : 1,000points / capacity for user's character of shoreline : 1,000points capacity for tracking marking : 1,000points / capacity for memory of destination : 1,000points capacity for memory of route : 20 routes (20 points/1 route)
	Display mode	normal, true-motion, course-up, north-up, head-up function
	Alarm	1)arriving alarm 2)off-course alarm 3)anchor alarm 4)boundary alarm
	Temperature	Antenna : -40°C ~ +50°C, Main unit : -10°C ~ +50°C
	Interface	SAMYUNG, NMEA0183, FURUNO(CIF), JRC
Power supply	DC12V~36V, 50W	
FISH FINDER (Option) NAVIS 3800F	Operating frequency	50/200KHz 600W(dual)
	Display color	256colors
	Range of depth	5~1,500M(depth of water,automatic output power control)
	Range of bottom	enlargement of tracing : 10, 20, 40, 80M, enlargement of flattened bottom : 2.5, 5, 10, 20, 40, 80M, partial enlargement : 5, 10, 20, 40, 80M
	Shift speed	Stop, low speed, medium speed, fast speed, super fast speed
	Information	depth, schools of fish, water temperature
	Display of function	Sensitivity, attenuation, transmitting output, time marking, depth, variable scales, color patterns

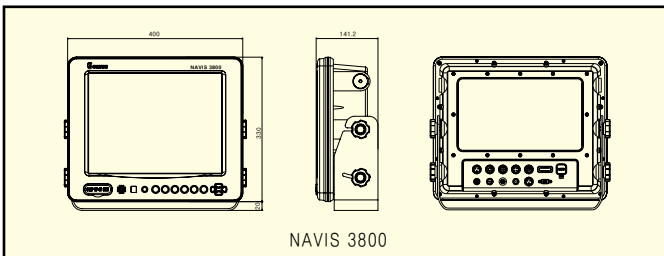
## COMPONENT / DIMENSIONS

### STANDARD

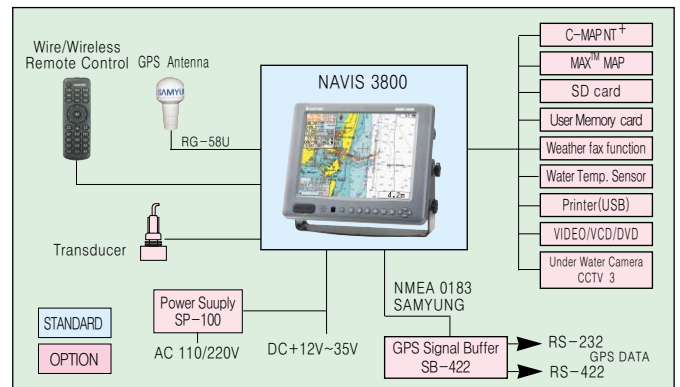
- GPS LCD plotter 1unit
- GPS antenna 1unit
- Remote controller 1unit
- Installation materials, Spare parts, Manual 1set

### OPTIONAL

- SD card
- C-MAP NT+, MAX™
- Transducer
- Power supply



## CONFIGURATION



\*본제품의 제원은 제품개선을 위해 예고없이 변경될 수 있습니다.

**SAMYUNG ENC Co.,Ltd.**

Head Office : 1123-17, Dongsam-Dong, Youngdo-Gu, Busan, Korea, 606-083  
Tel : 82-51-601-5532(Rep.) Fax : 82-51-413-4446  
A/S Center : 65-20, 2-Ga Namhang-Dong, Yungdo-Gu, Busan, Korea, 606-032  
Tel : 82-51-601-5570~4(Rep.) Fax : 82-51-416-5515  
Http : //www.samyungenc.com



ISO 9001:2000 / KS A 9001:2001  
Certificate No. : RQM0645

