

v130NX

KU TO KA-BAND CONVERTIBLE GEO/MEO/LEO 1.25m Maritime VSAT Terminal



FEATURES

KU-KA DUAL BAND READY

The v130NX is the Ku- to Ka-band convertible antenna which has a frequency-tuned reflector and radome for both satellite bands, ensuring maximum performance in each band.

GEO/MEO/LEO TRACKING CAPABILITY

The v130NX is future-ready, designed with the world's most accurate satellite tracking performance. Our proven tracking algorithm not only covers GEO, but also MEO and LEO constellations.

MODULAR COMPONENTS IN NX SERIES

Modular components are commonly used throughout Intellian's NX antenna series, such as the Main Control Unit and skew assembly. Sharing common modules reduces the number of spare parts.

HIGH-POWER BUC OPTIONS

The v130NX provides various BUC power options up to 40W for maximum throughput, enabling higher data rates and global operation.

SIMPLIFIED INSTALLATION

Only a single cable is needed for installation, which carries TX, RX, DC power, data, and reference signals between the antenna and the ACU. For dual antenna operations, no additional hardware is required due to Intellian's new embedded-mediator function ACU.

NEW APTUSNX

Intellian's all new AptusNX integrated M&C platform provides a responsive web user interface to manage and control the antenna system, regardless of device type. The installation Wizard in AptusNX automates the functions for system configuration so that operators are minimally involved in system installation, which includes automatic cable loss compensation, line-up tests, and auto-diagnostics.

v130NX Ku- to Ka-band Convertible GEO/MEO/LEO 1.25m Maritime VSAT Terminal

TECHNICAL SPECIFICATIONS

ABOVE DECK UNIT

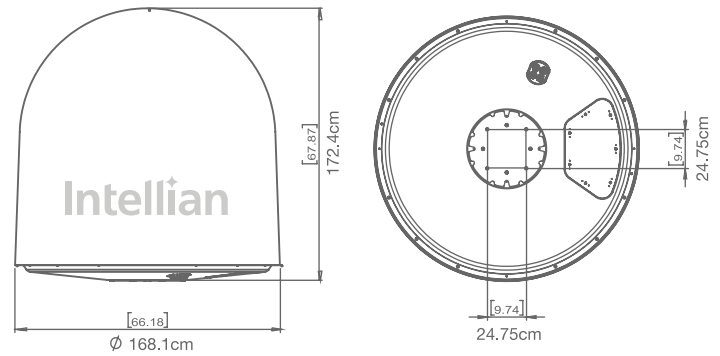
Radome Height	172.4 cm / 67.9"
Radome Diameter	168.1 cm / 66.2"
Reflector Diameter	125 cm / 49.2"
Weight	150 kg / 330.7 lbs
Azimuth Range	Unlimited
Elevation Range	-20° to 115°
Cross-level Range	± 37°
Stabilization Accuracy	0.2° peak miss-pointing @ max ship motion condition
Motor Brake System	Dynamic Brake System
Tx Frequency	13.75 ~ 14.5 GHz Ku-band
Tx Gain	43.5 dBi @ 14.25 GHz (excl. radome)
Rx Frequency	10.7 ~ 12.75 GHz Ku-band
Rx Gain	42.0 dBi @ 11.7 GHz (excl. radome)
G/T	> 21.0 dB/K @ 12.75 GHz (Clear Sky, 30° Elevation)
BUC Power	8W, 16W, 25W, 40W (Optional)
LNB	Intellian PLL LNB
Polarization	Linear, Cross & Co-pol
Antenna Cable	Single 50ohm Coax Cable for Rx, Tx, FSK, Reference and Power from ACU to ADU

ANTENNA CONTROL UNIT

Dimensions (WxDxH)	43.1cm x 35cm x 4.4cm / 17" X 13.8" X 1.7"
Weight	5.2 kg / 11.5 lbs
Display	OLED Display
Gyrocompass Interface	NMEA2000, NMEA0183
Mediator Interface	Yes
Modem Interface	Ethernet port / RS-232C,-422C / I/O Console
Modem Protocol	iDirect, Comtech, SatLink, Hughes, GILAT, Newtec
Wi-Fi Operation	Yes (w/ Wi-Fi dongle)
Management Port	Yes
Intellian LAN Port	Yes
Power Requirement	100 ~240 VAC, 50~60Hz, 4A

SYSTEM DIMENSION

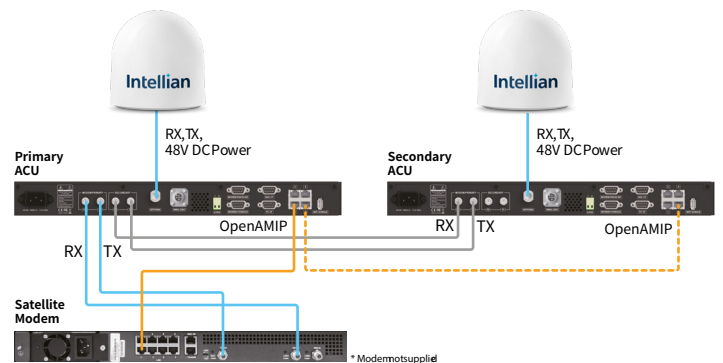
ADU



SYSTEM DIAGRAM



SYSTEM DIAGRAM (DUAL ANTENNA)



* Modemotsupplier