

# HDS



( )

1"

5/8"

#29 (0.136")

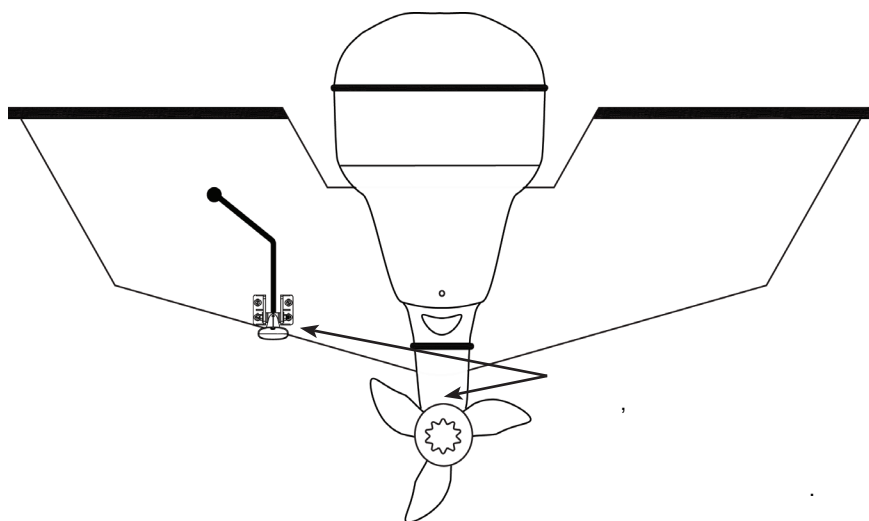
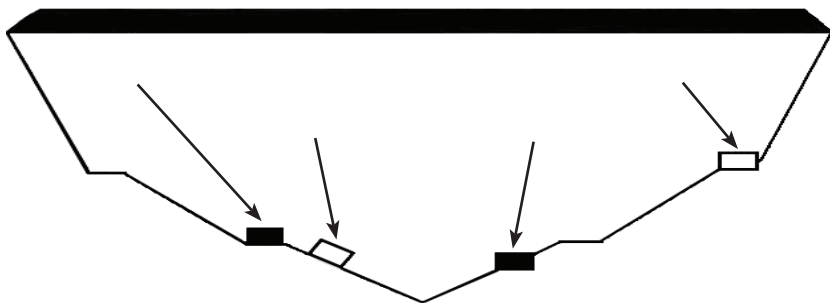
#20 (0.161")

TMB-S,

,60 160

,60 160

1.

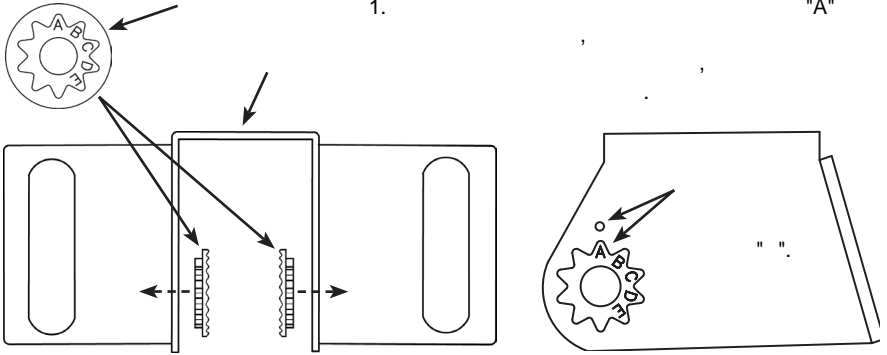


2.

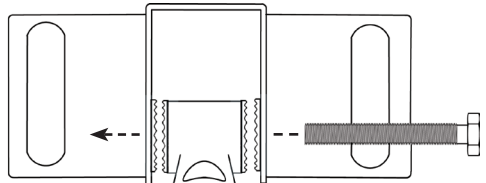
A-E

1.

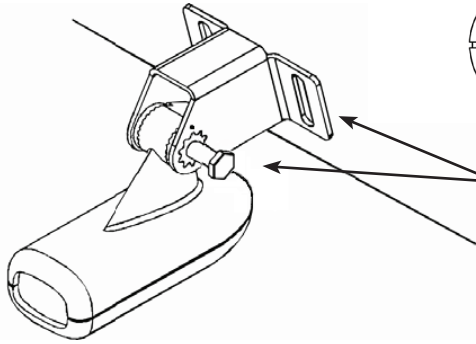
"A"



2.



3.

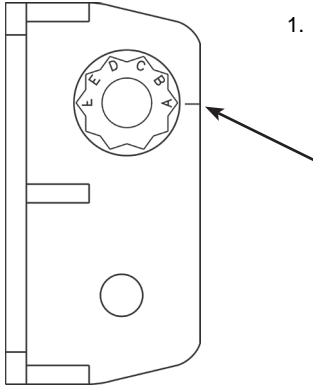


"A"

"B",



A-F

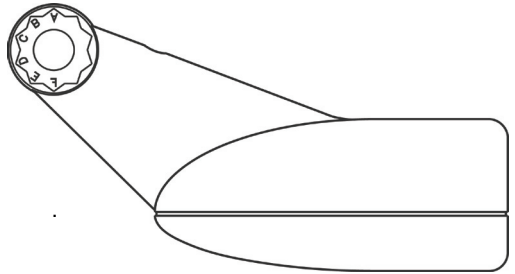


1.

"A",

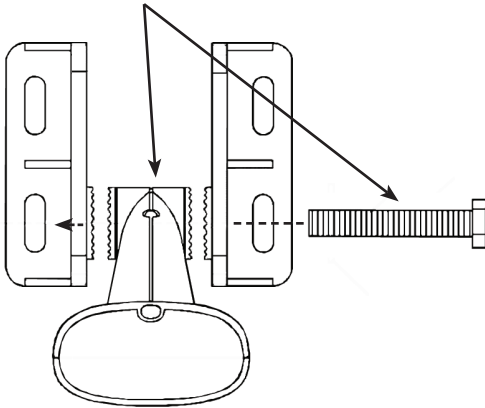
2.

12-



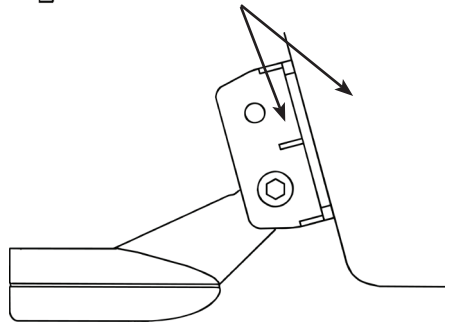
"A"

3.



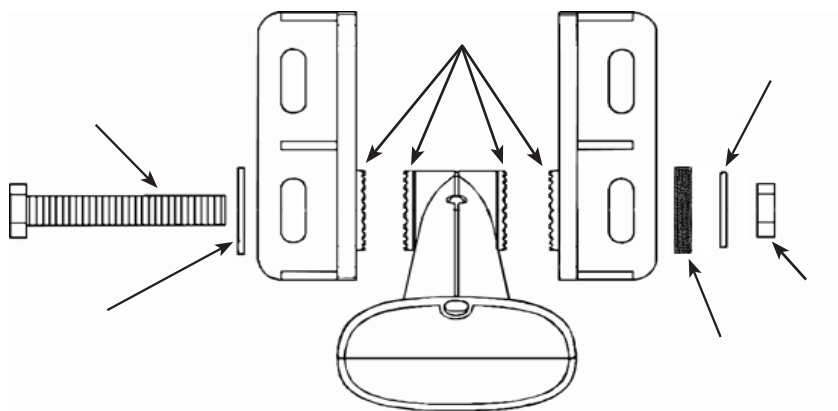
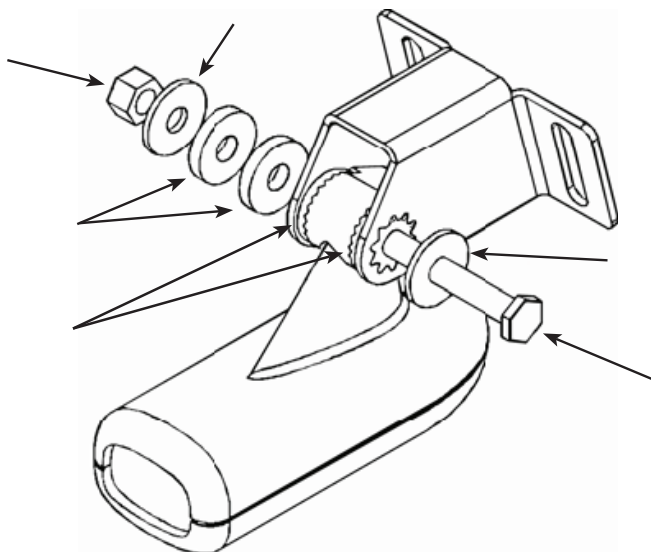
4.

"A"

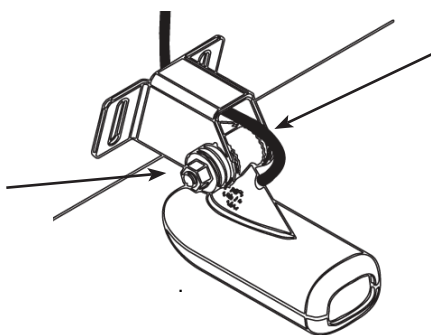
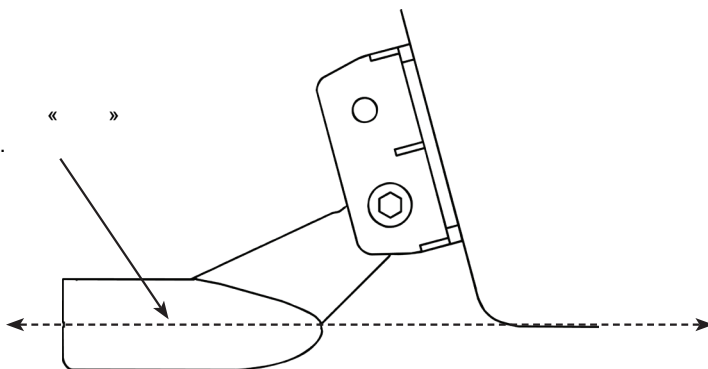
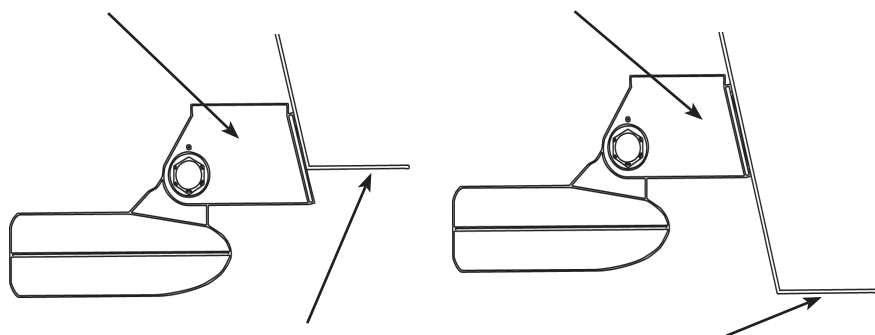


"B",

3.



4.



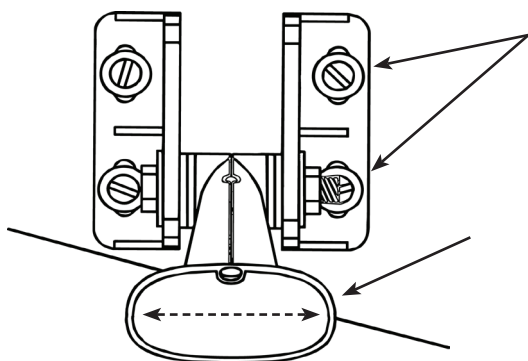
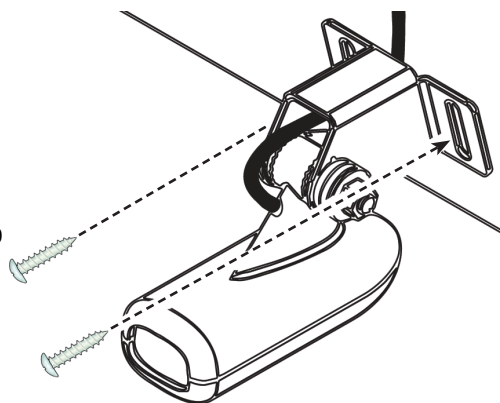
1.

2.

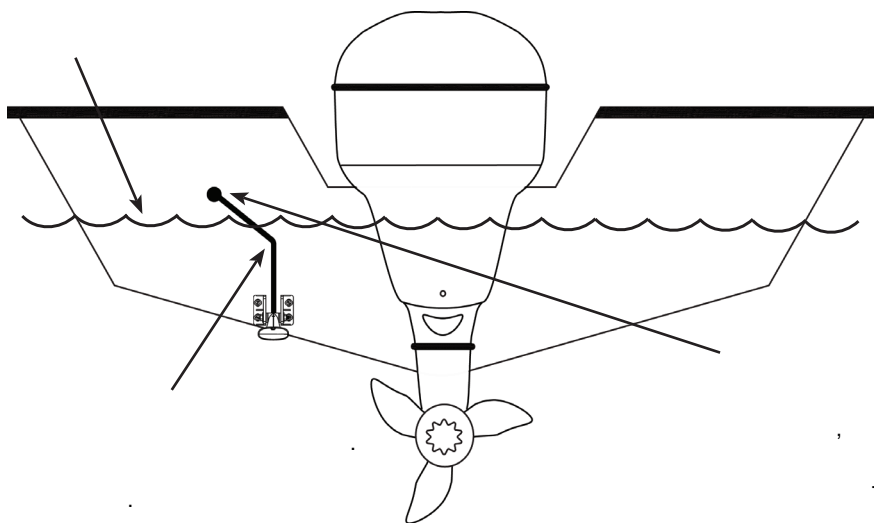
( #10 ).

#20 ( #12 ).

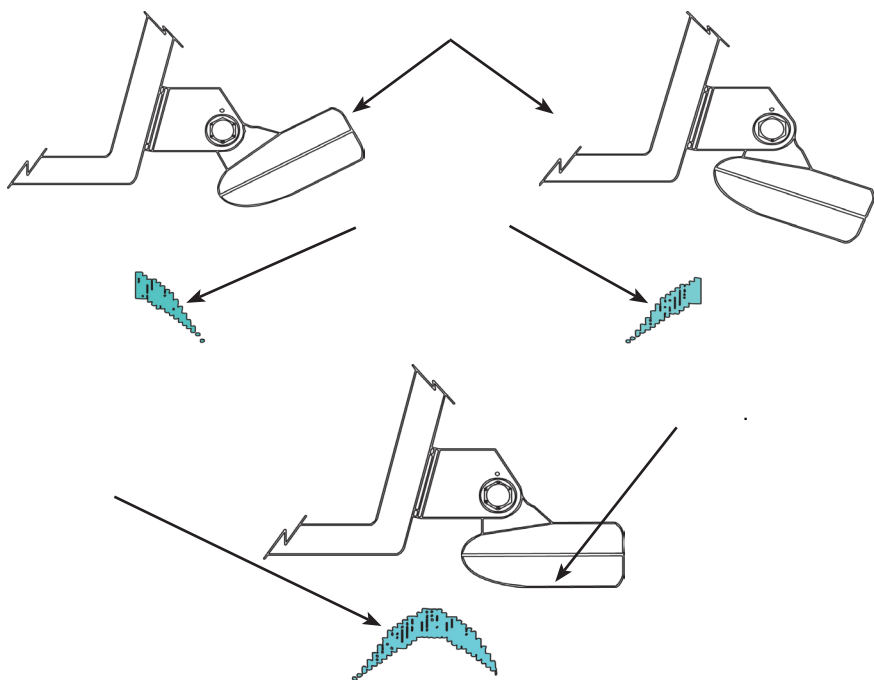
#29



V-



5.





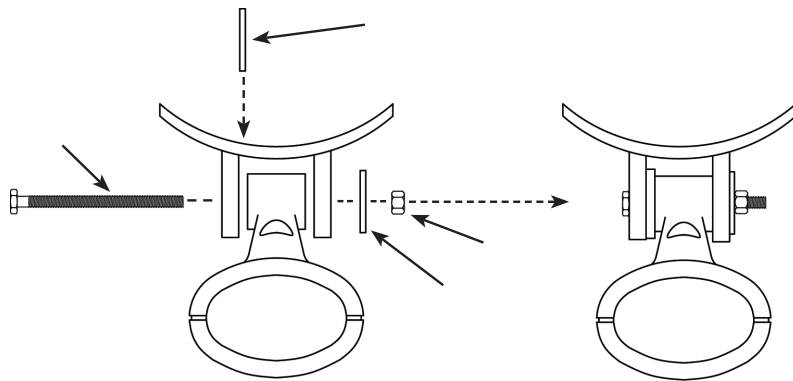
# TMB-S,

TMB-S

TMB-S ( 51-45)

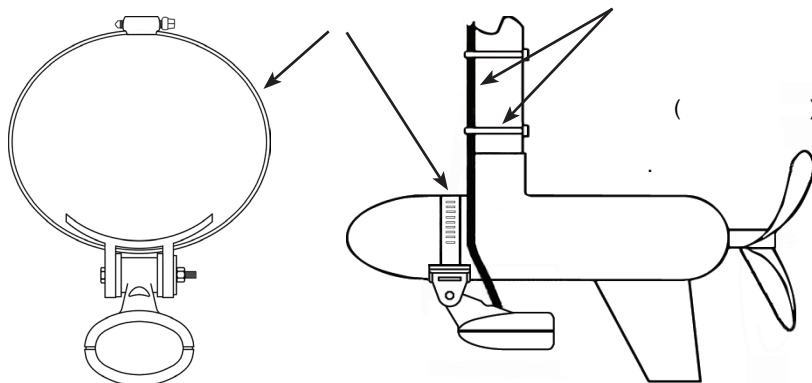
Lei [www.lei-extras.com](http://www.lei-extras.com).

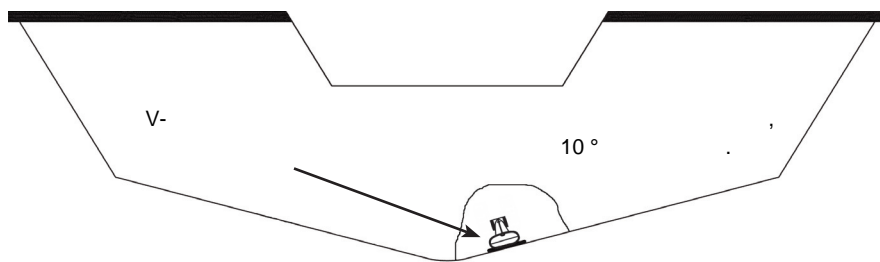
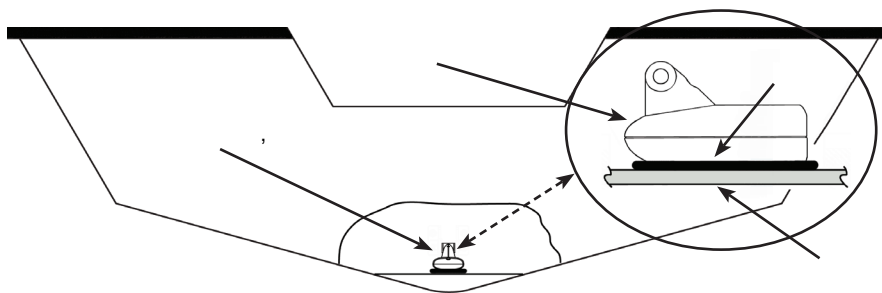
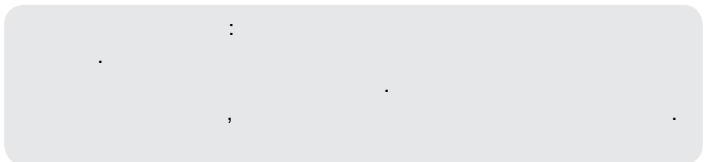
TMB-S

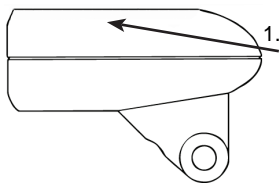


TMB-S (

),

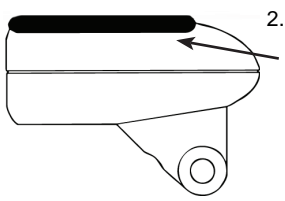






60

160



( )

1-1/2

3.

(

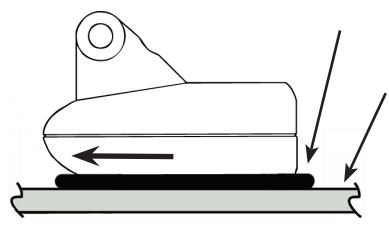
1-16"

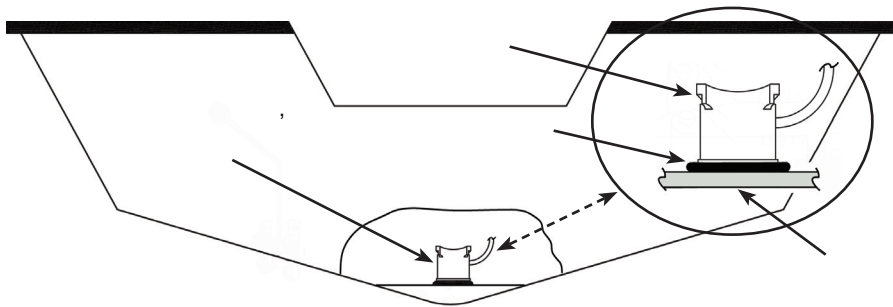
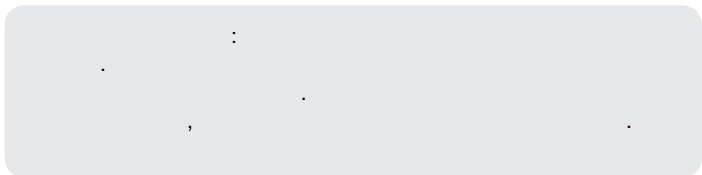
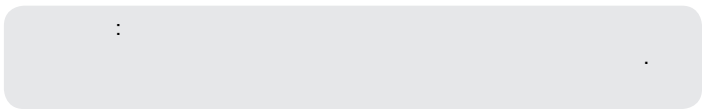
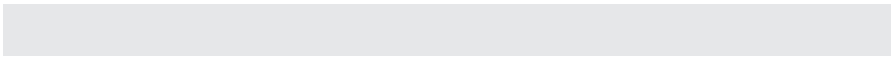
(

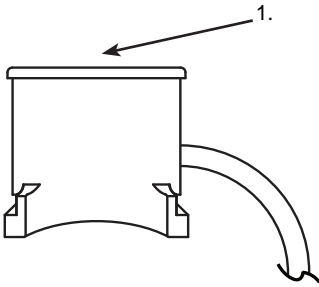
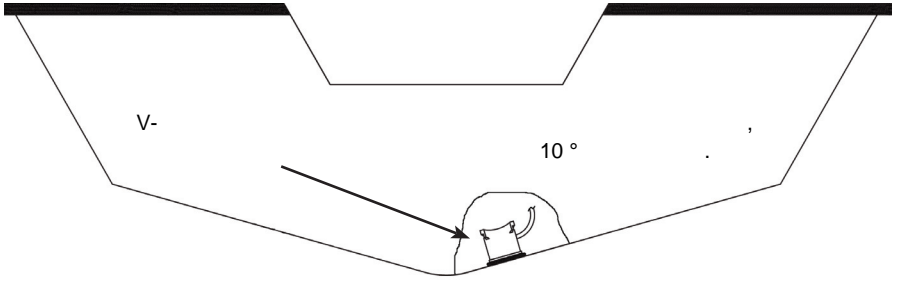
1.5

)

)



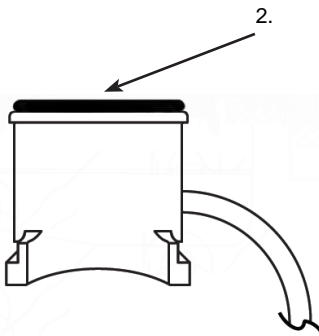




60

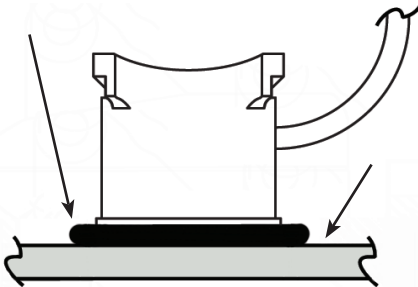
160

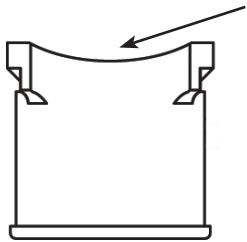
1-1/2



(1-16 1,5 )

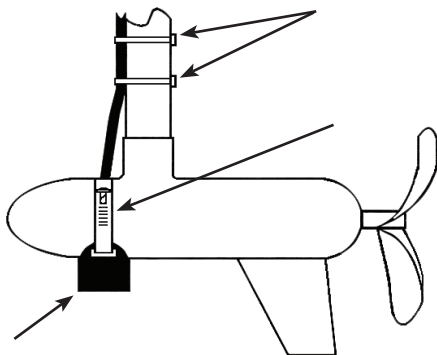
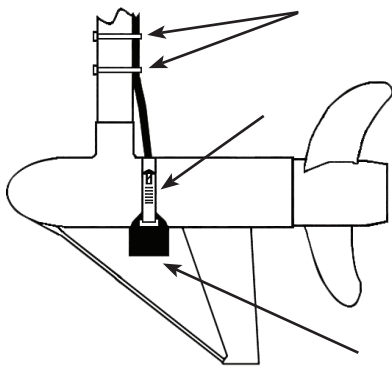
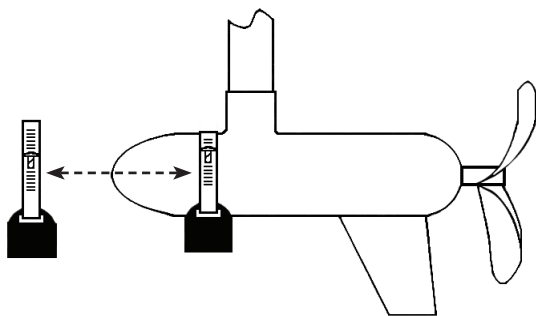
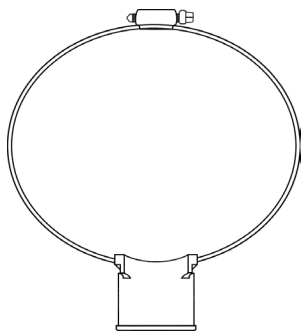
3.



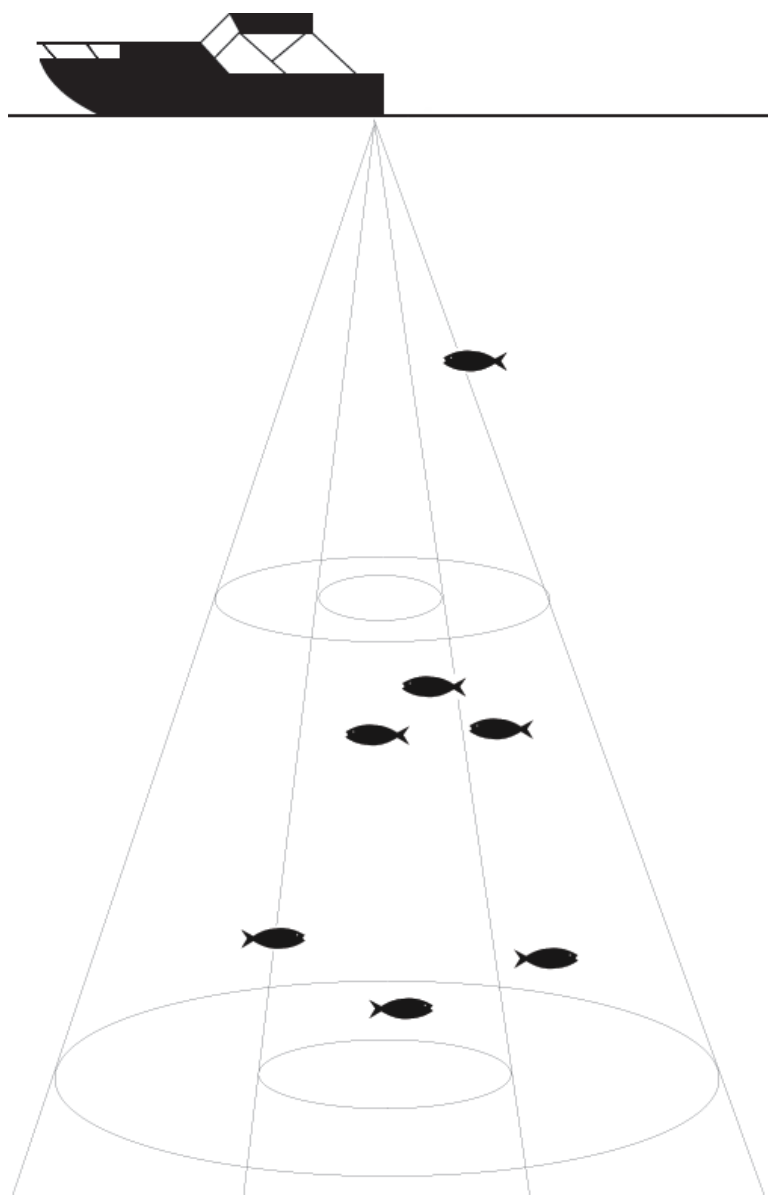


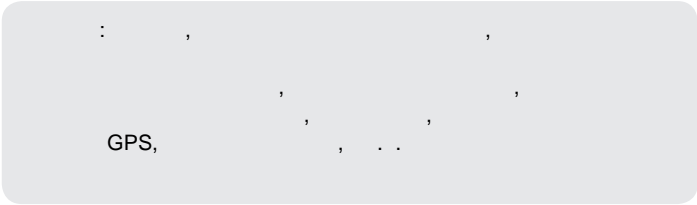
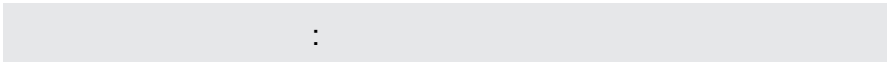
1.

2.

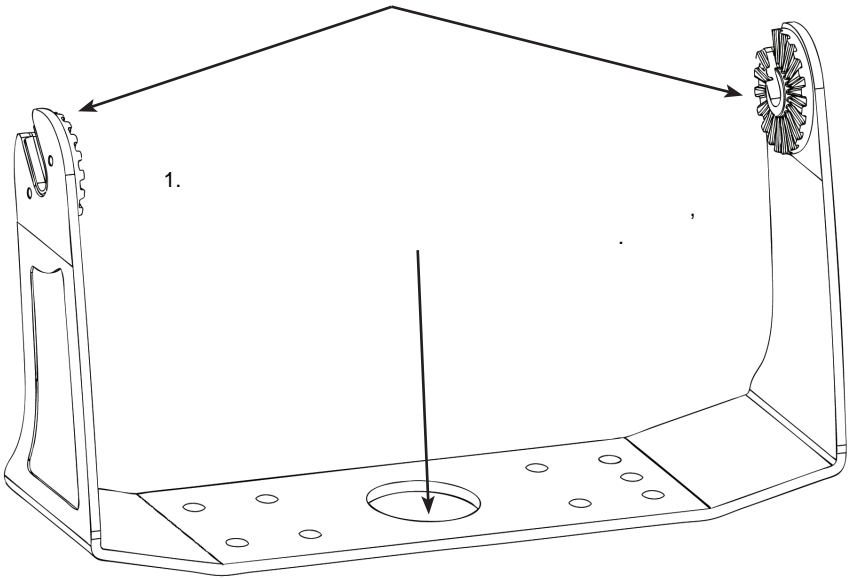


( )



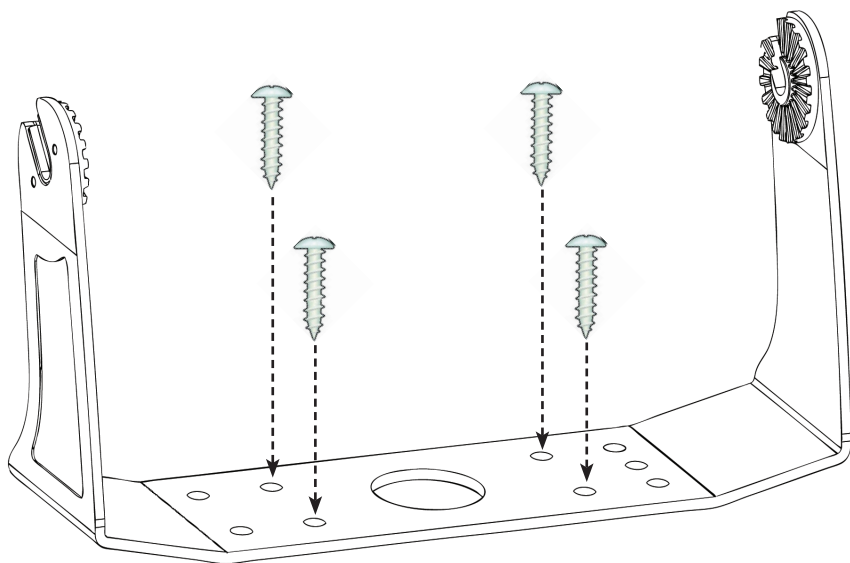


GPS,

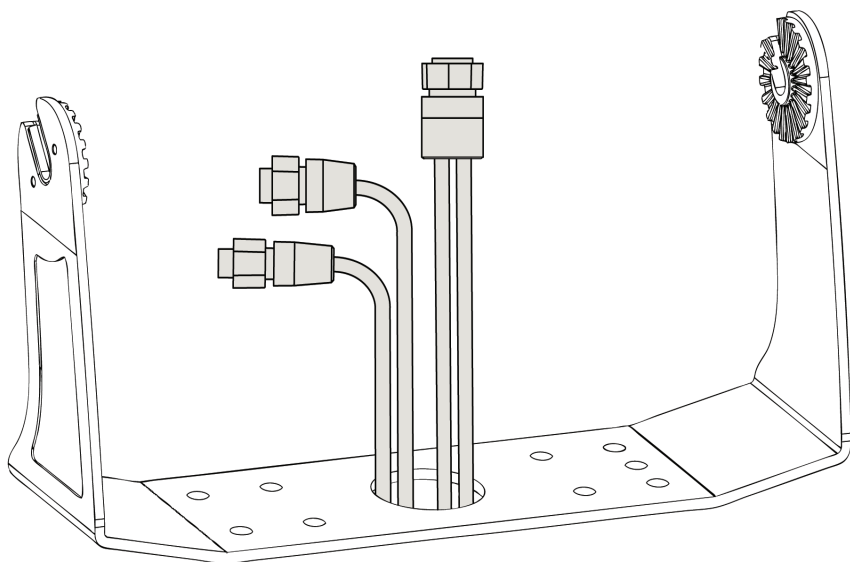


2. 1- (25.4- )



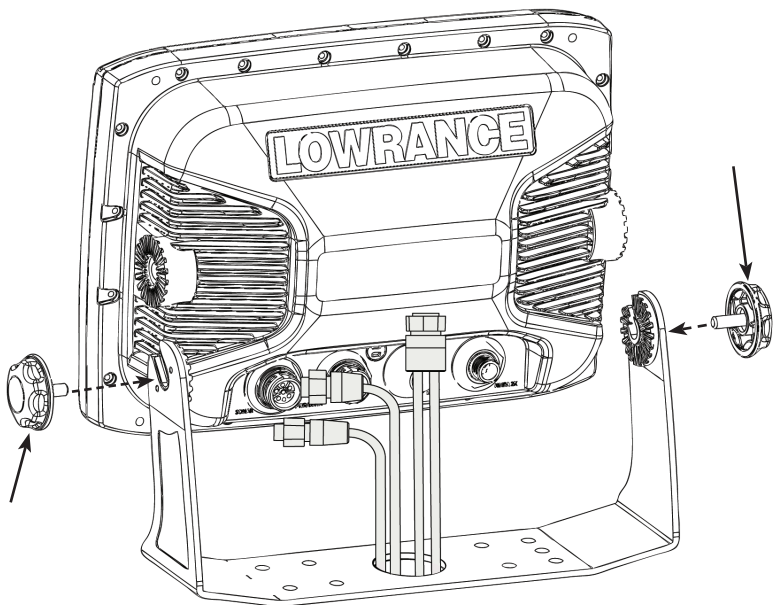


3.

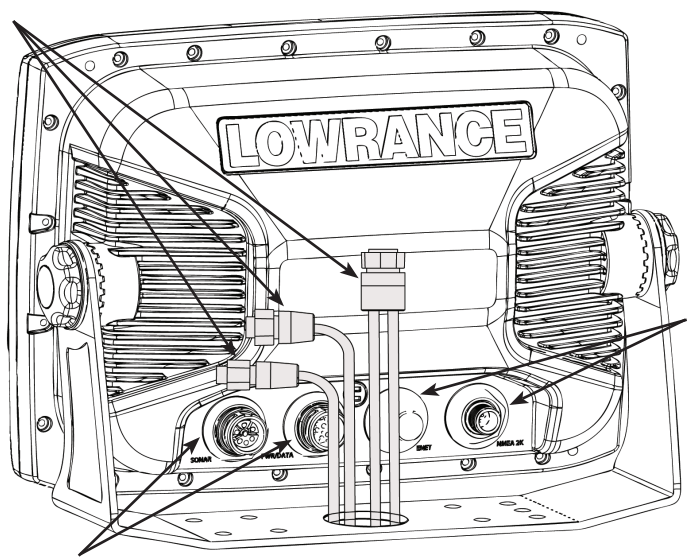


4.

1-

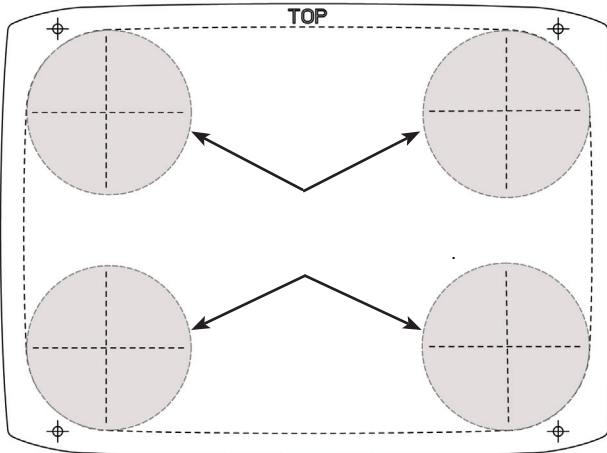
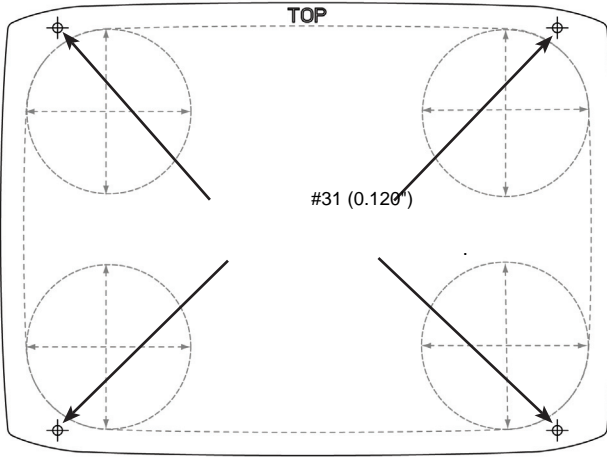


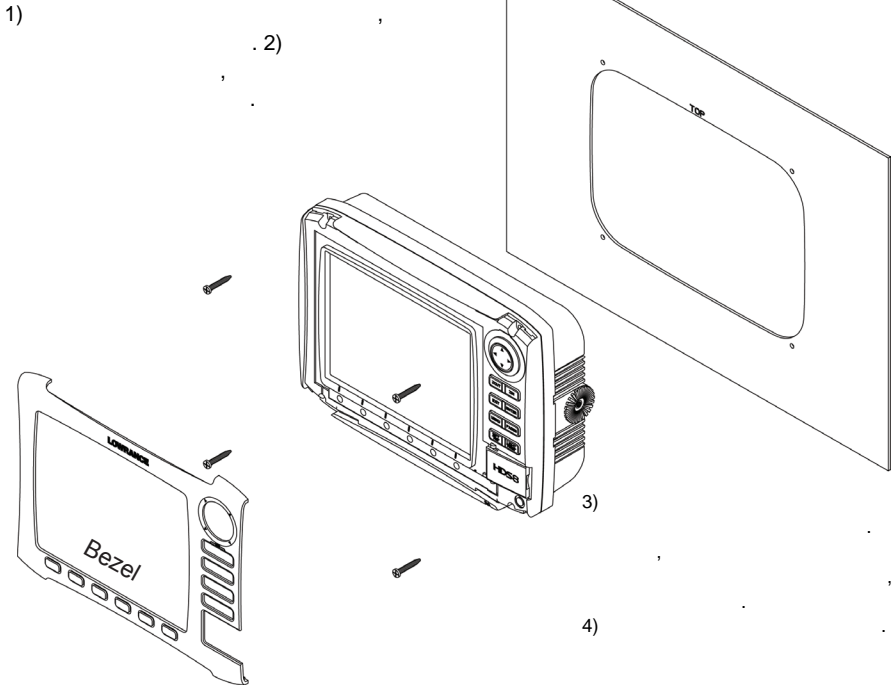
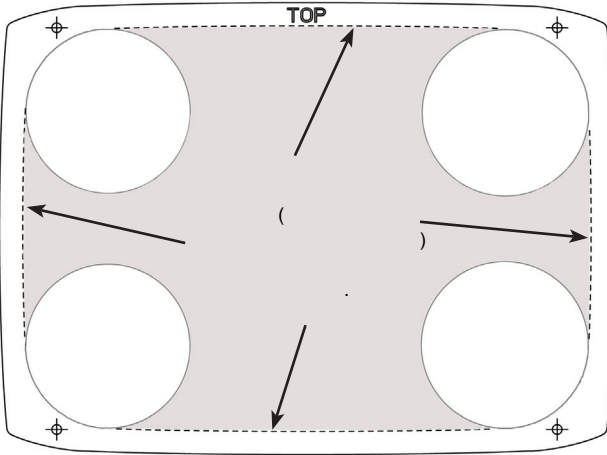
4.



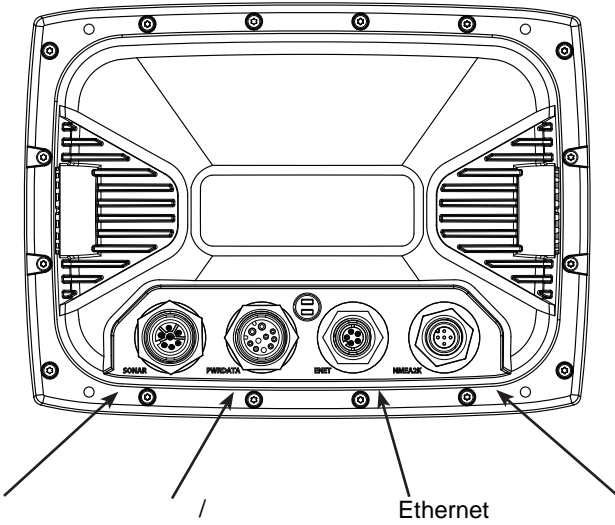
5.

#6 - 20 X 1-1/2"

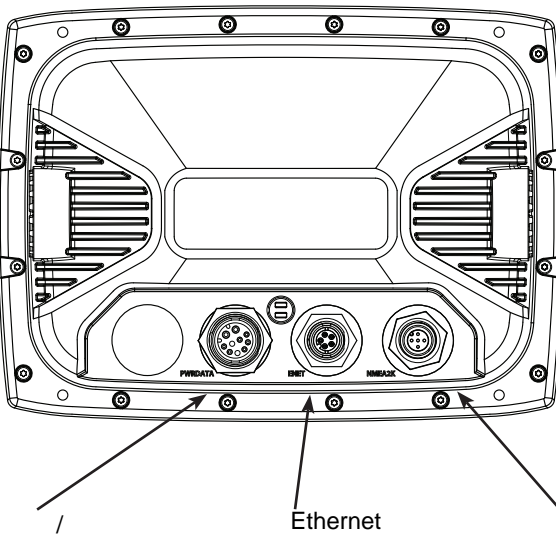


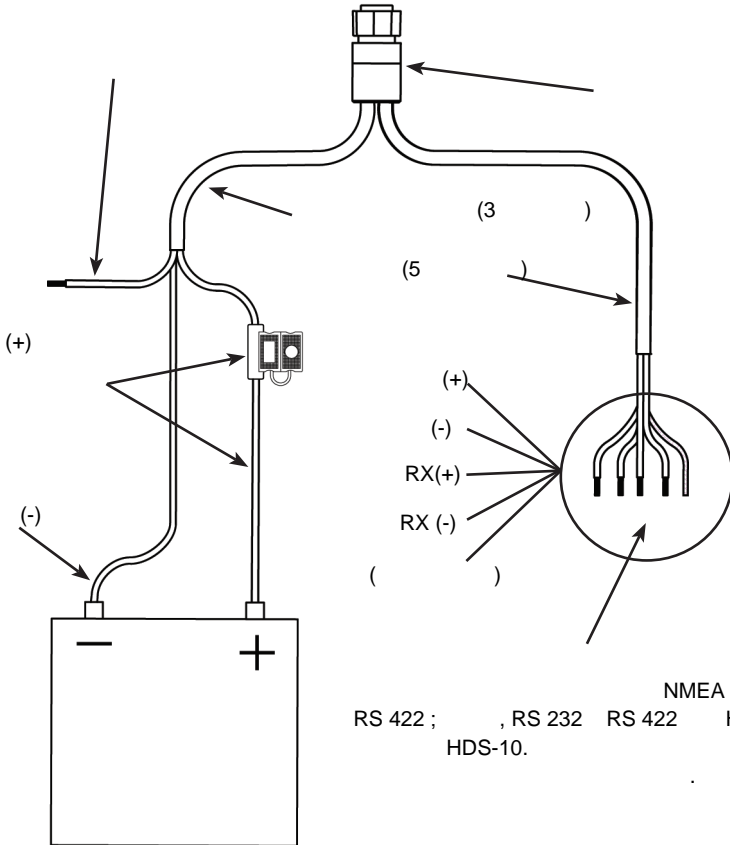
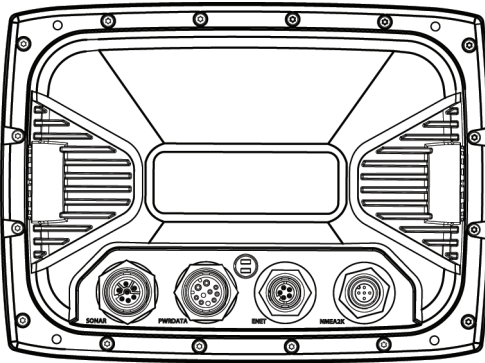


/GPS

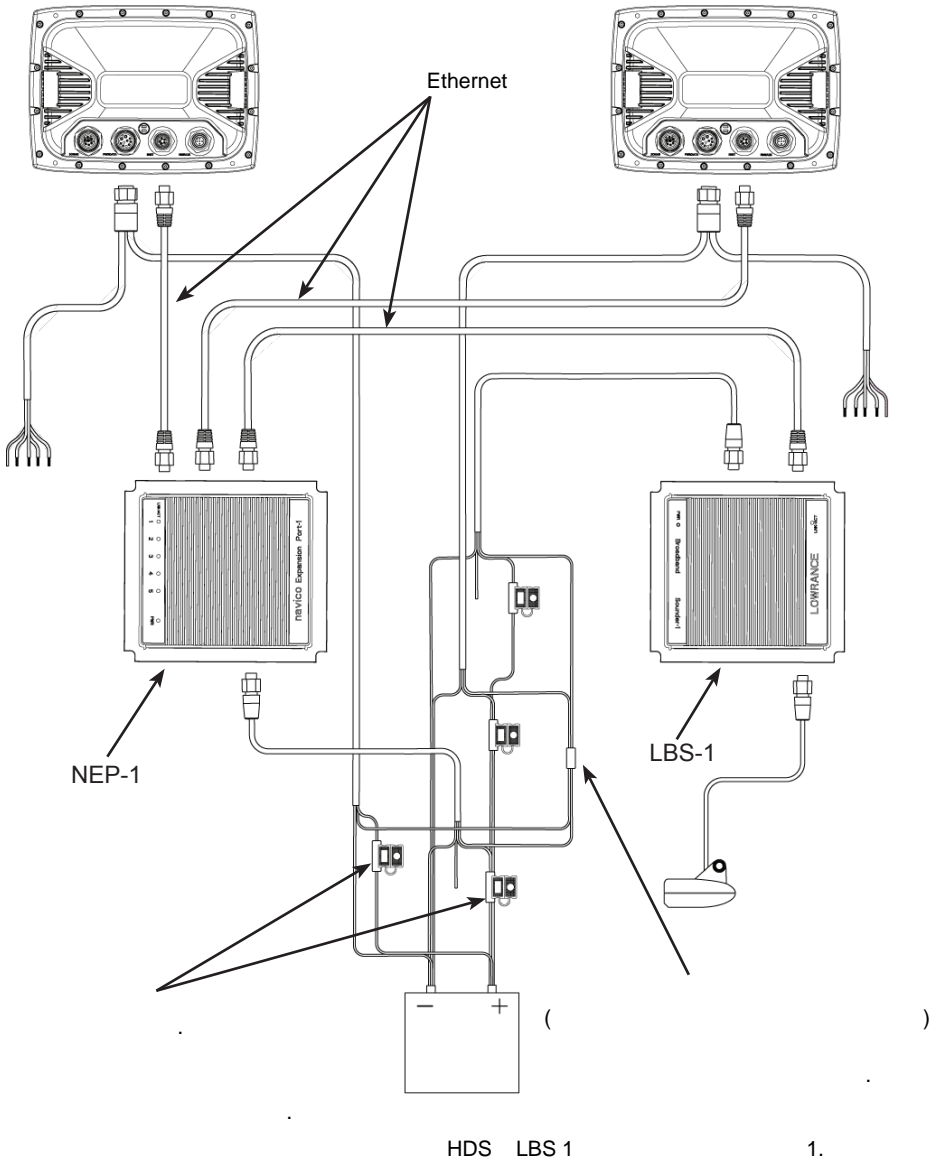


GPS





NMEA 0183,  
 RS 422 ; , RS 232 RS 422 HDS-8  
 HDS-10.



NMEA 0183 ( )

NMEA0183 ,  
2.0 (RS 422) NMEA 0183.

HDS-8 HDS-10

(Com 1)  
RS 232

(Com 1 Com 2)

NMEA.

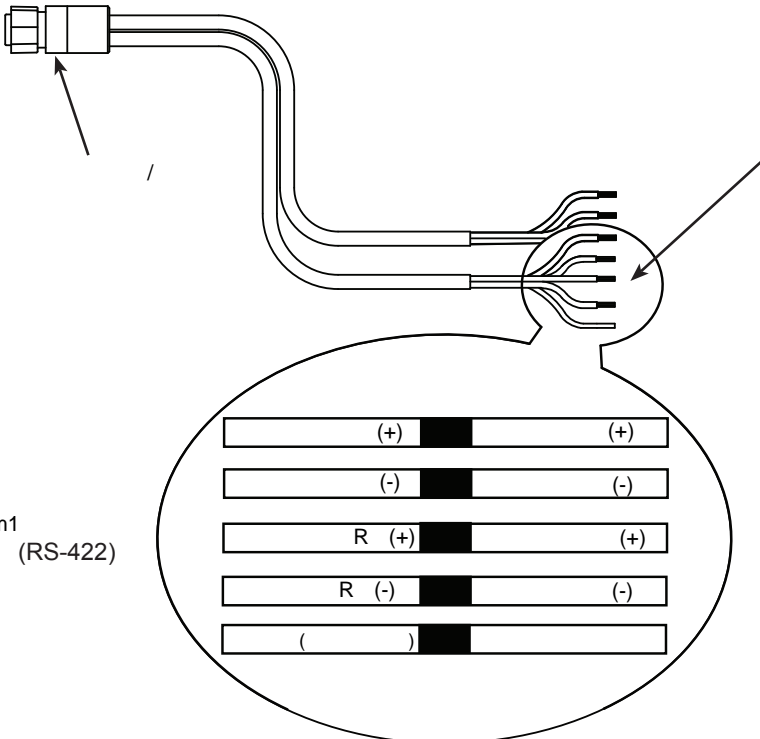
NMEA.

( / )

/ .

\* Com 1 (RS 422)

( ) ,





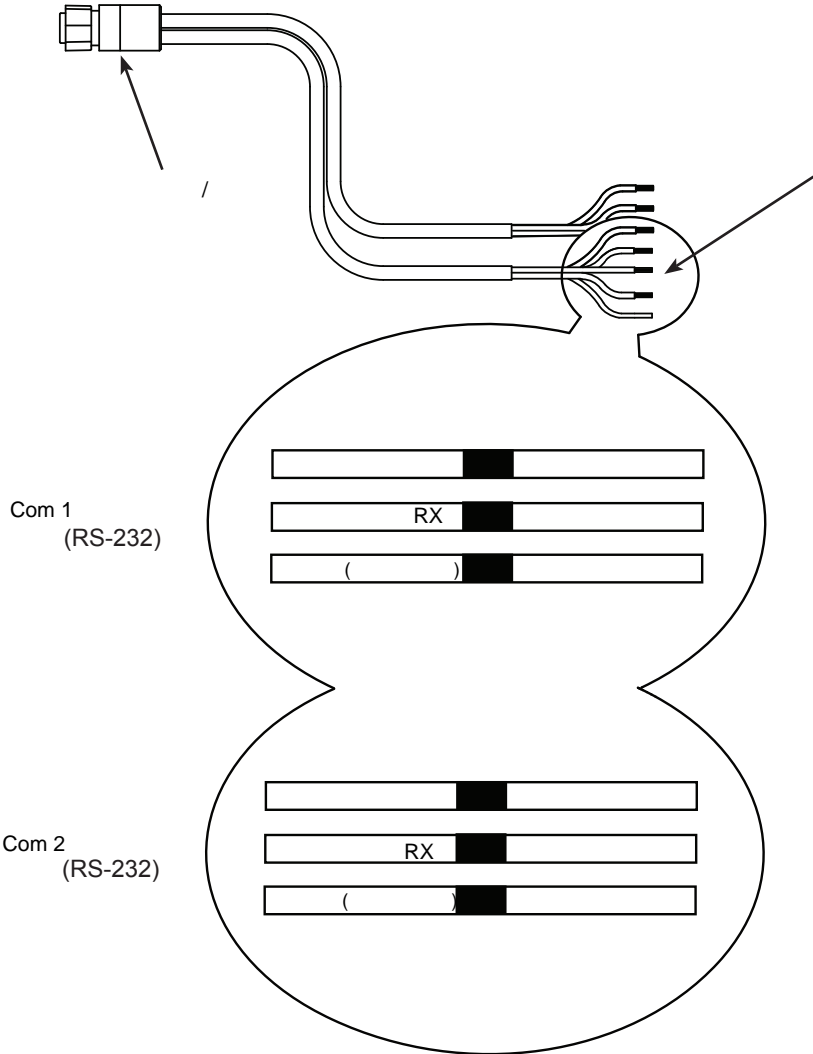
NMEA 0183 ( )

\* Com 1 (RS-232)

( )

\* Com 1 (RS-232)

( )



NMEA 0183 ( )

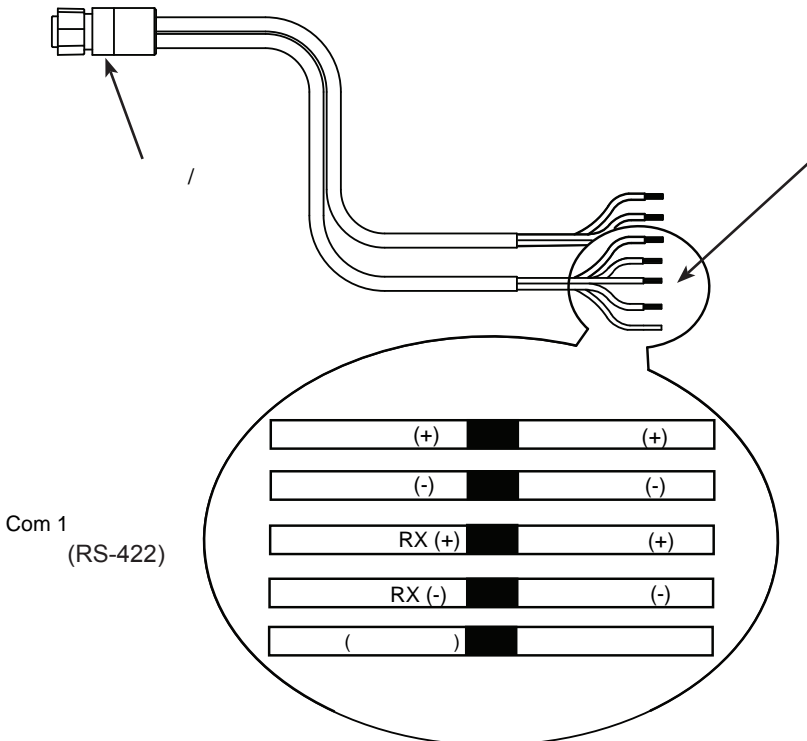
NMEA 0183 ,  
2.0 (RS 422) NMEA 0183.

HDS-5 HDS-7

(Com 1)

NMEA.

\* Com 1 (RS 422)





:

***www.lowrance.com***



© Copyright 2008  
All Rights Reserved  
Navico Holding AS