

# HDS



( )

1"

5/8"

#29 (0.136")

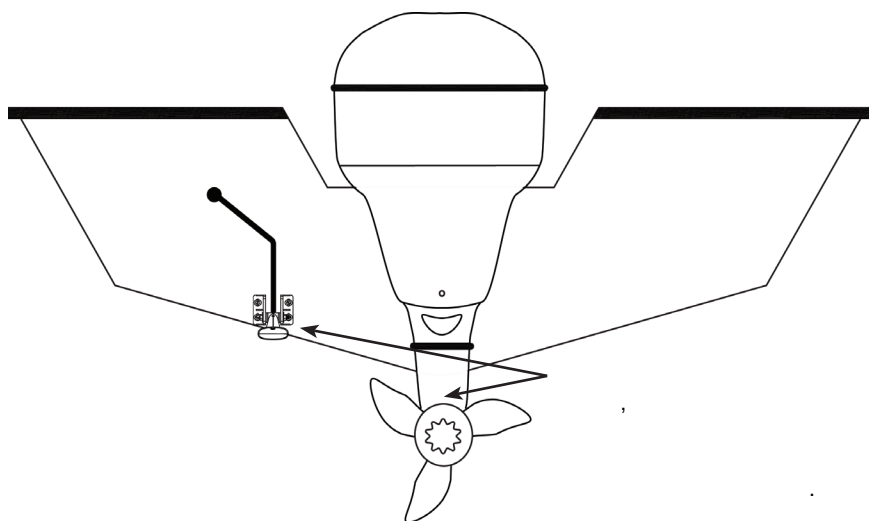
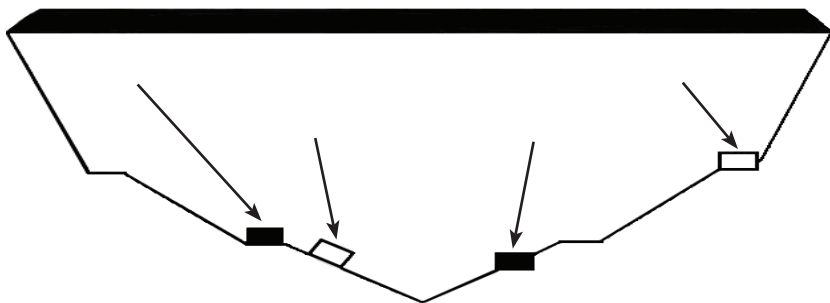
#20 (0.161")

TMB-S,

,60 160

,60 160

1.

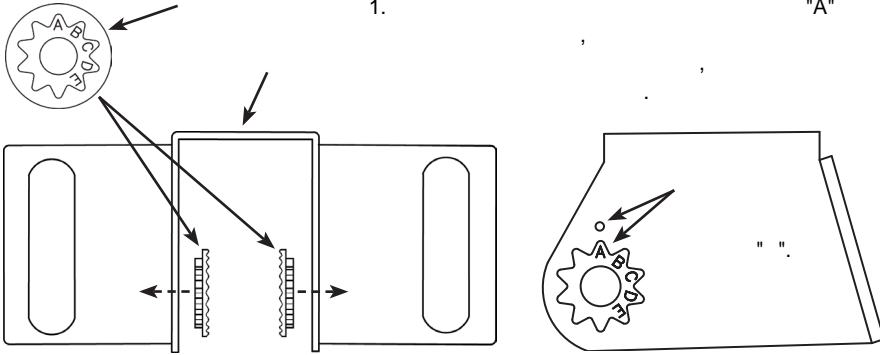


2.

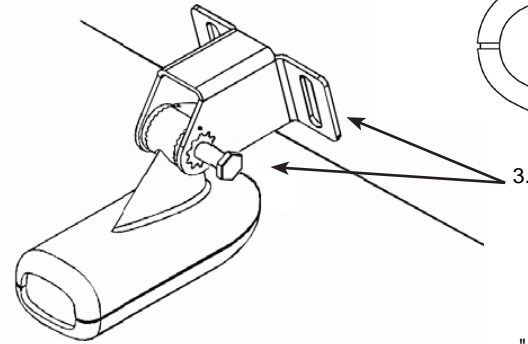
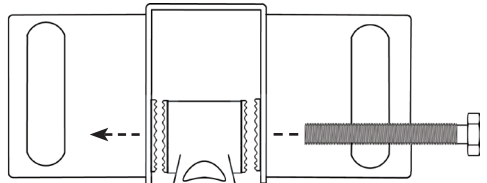
A-E

1.

"A"



2.

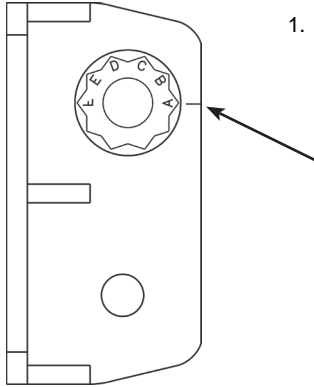


"A"

"B",



A-F



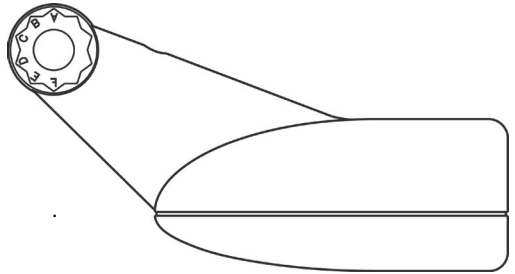
1.

"A",

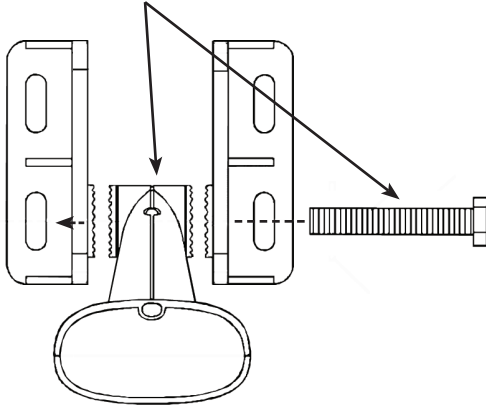
2.

12-

"A"



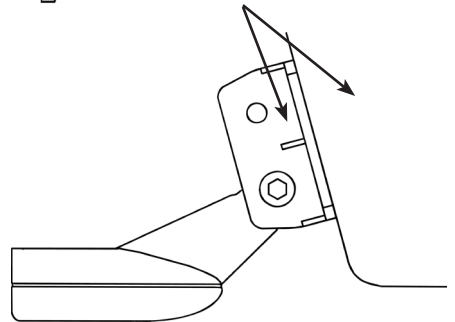
3.



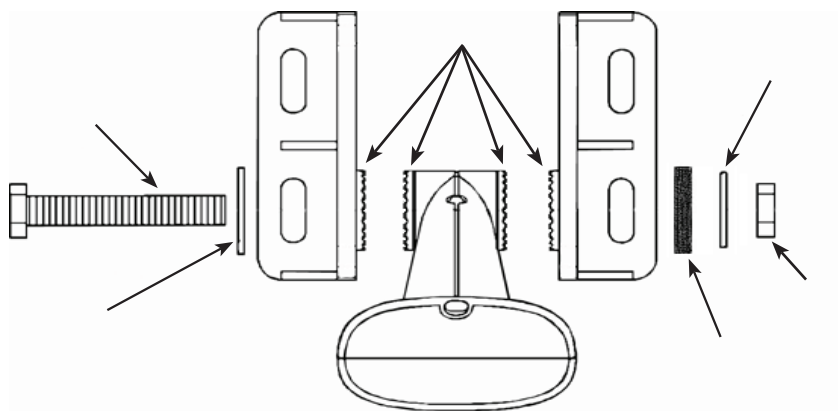
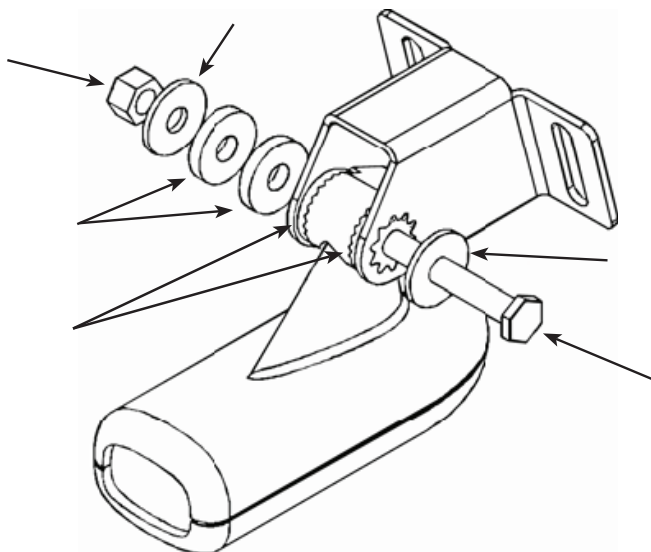
4.

"A"

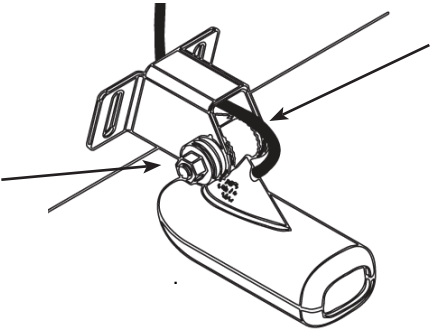
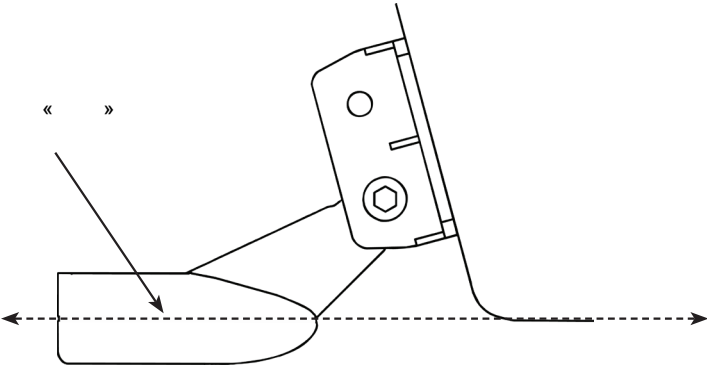
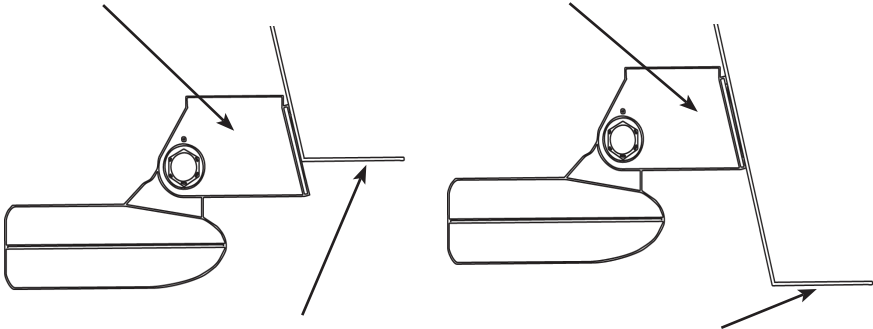
"B",



3.



4.



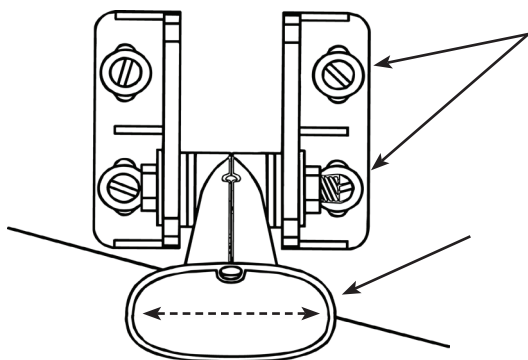
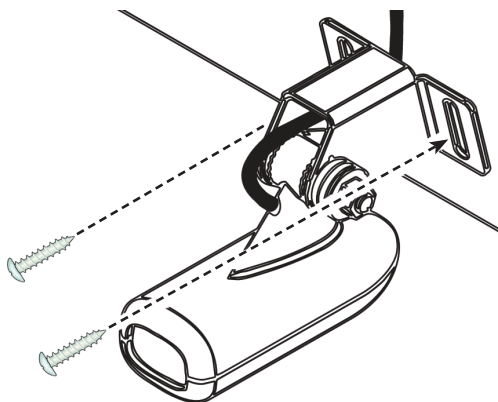
1.

2.

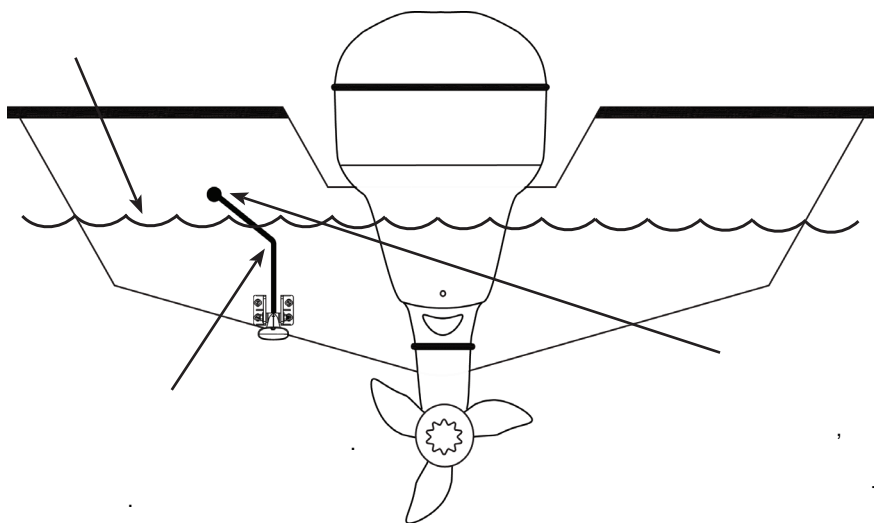
( #10 ).

#20 ( #12 ).

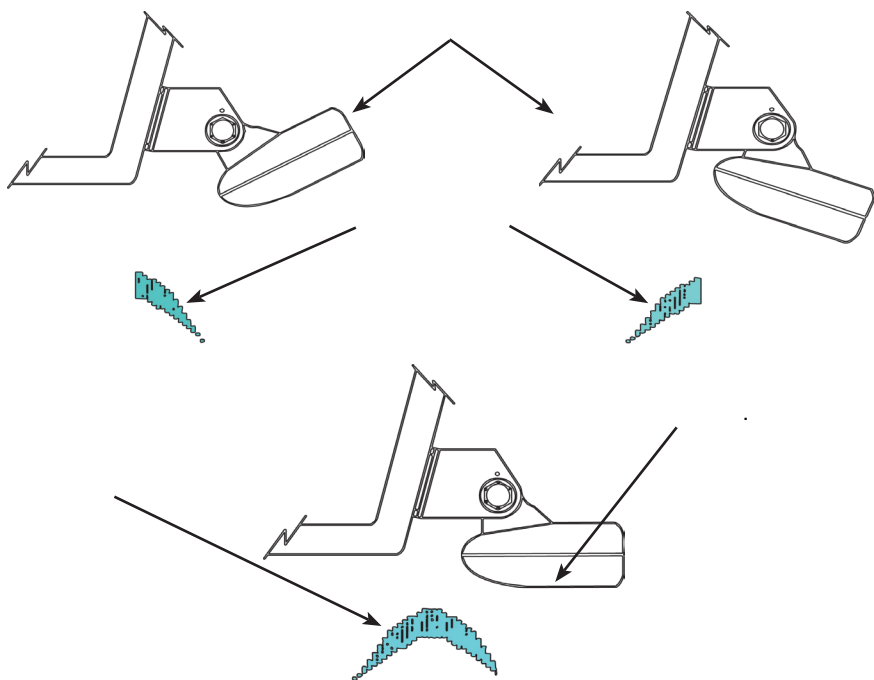
#29



V-



5.





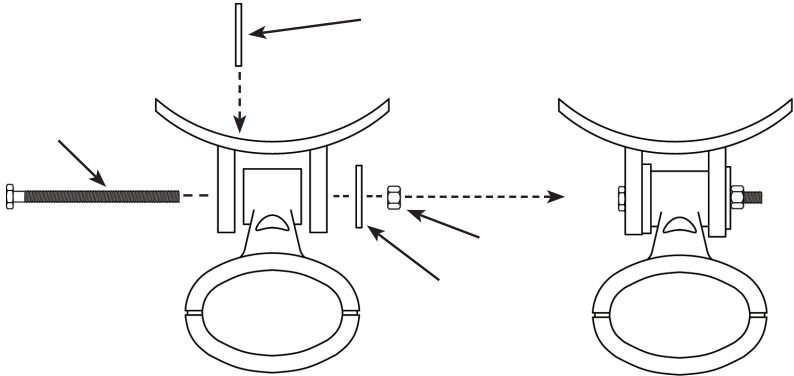
# TMB-S,

TMB-S

TMB-S ( 51-45)

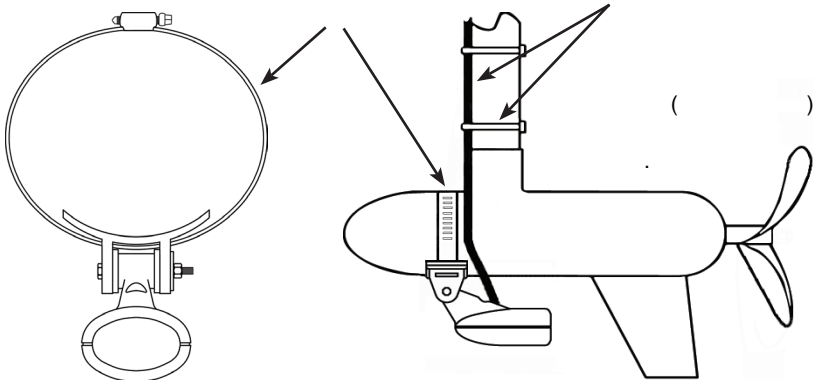
Lei [www.lei-extras.com](http://www.lei-extras.com).

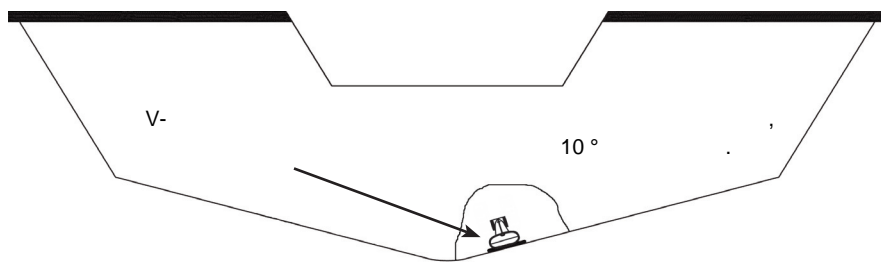
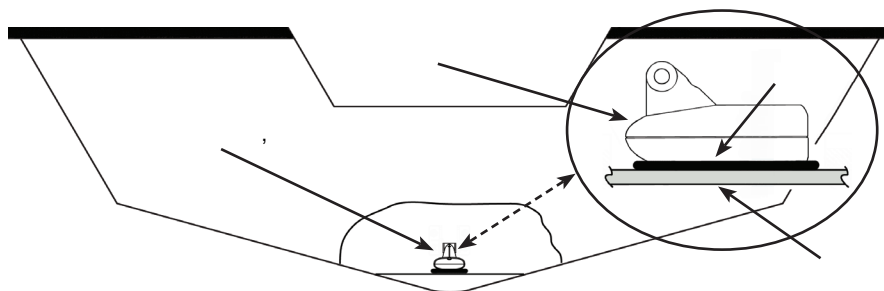
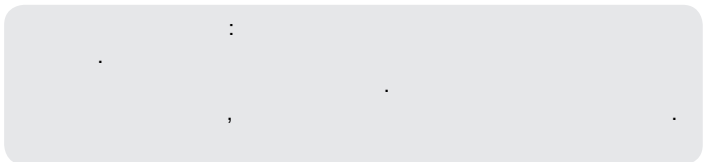
TMB-S

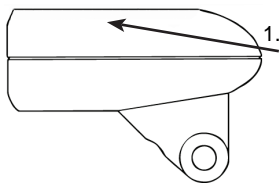


TMB-S (

),

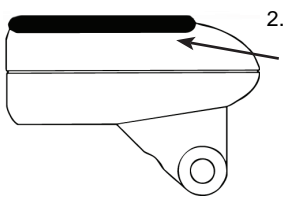






60

160



( )

1-1/2

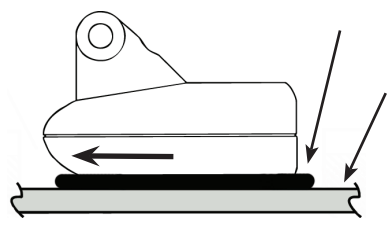
3.

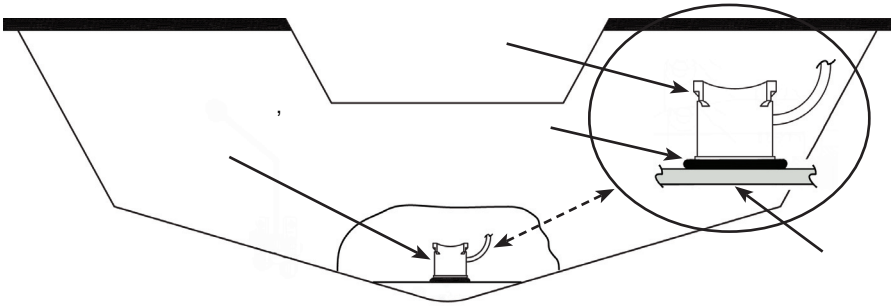
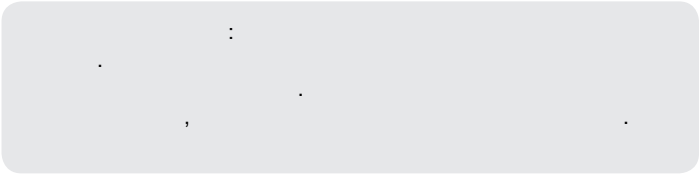
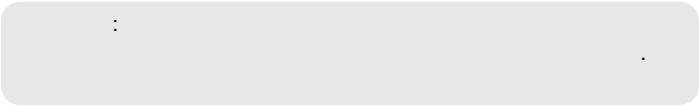
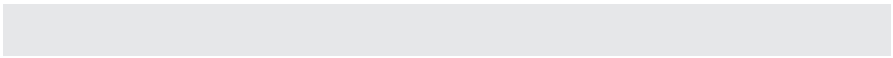
(

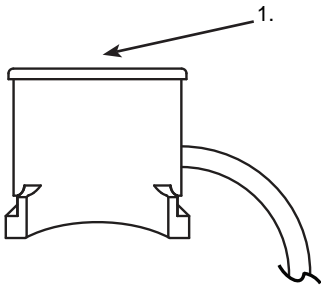
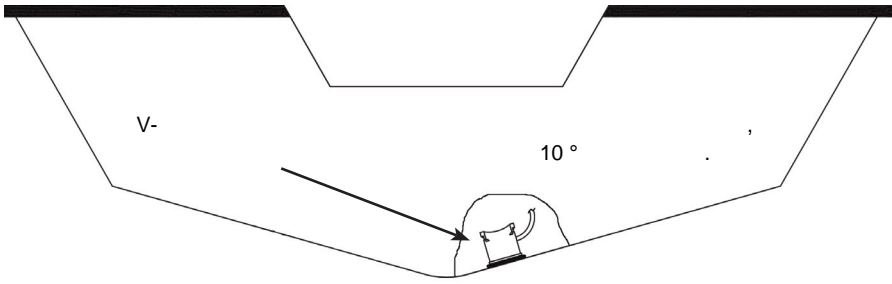
1-16"

( 1.5 )

)

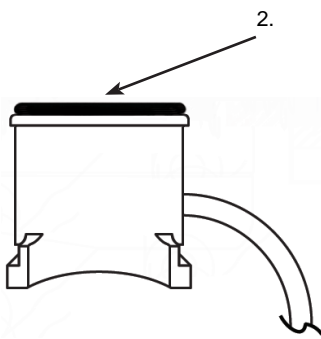






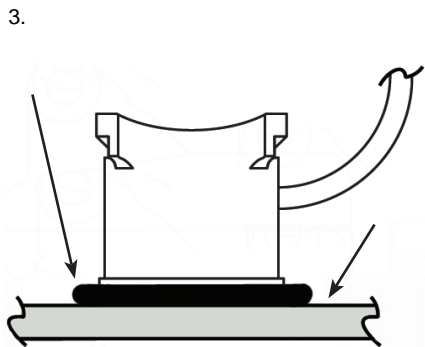
60

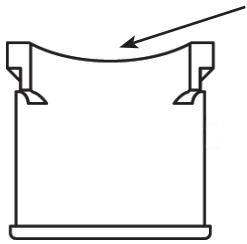
160



1-1/2

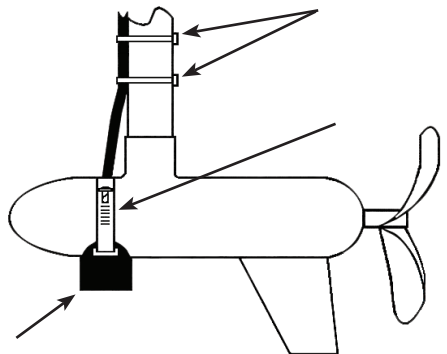
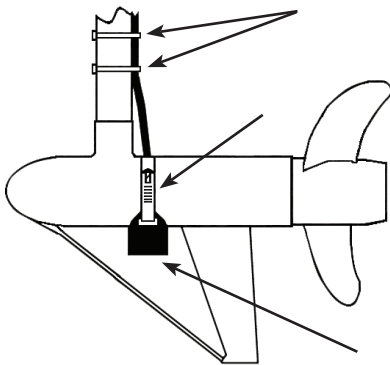
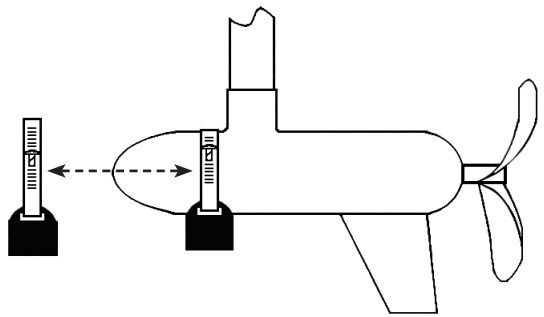
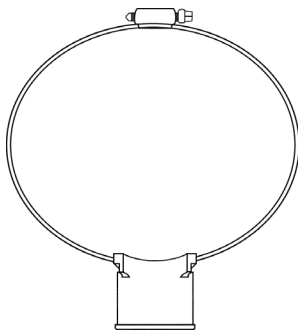
(1-16 1,5 )



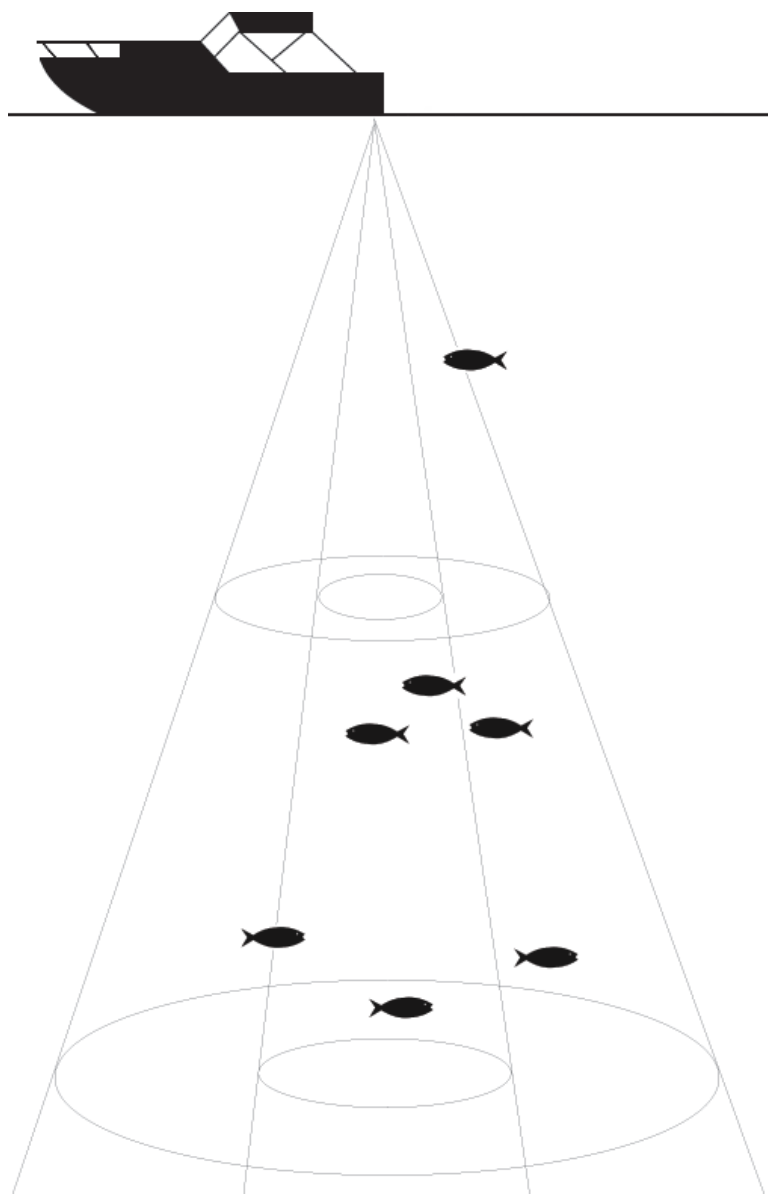


1.

2.

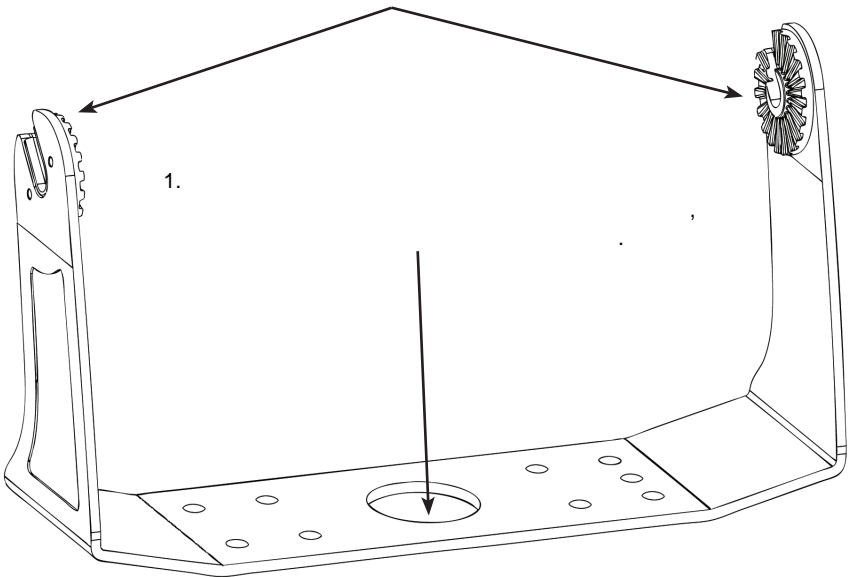


( )



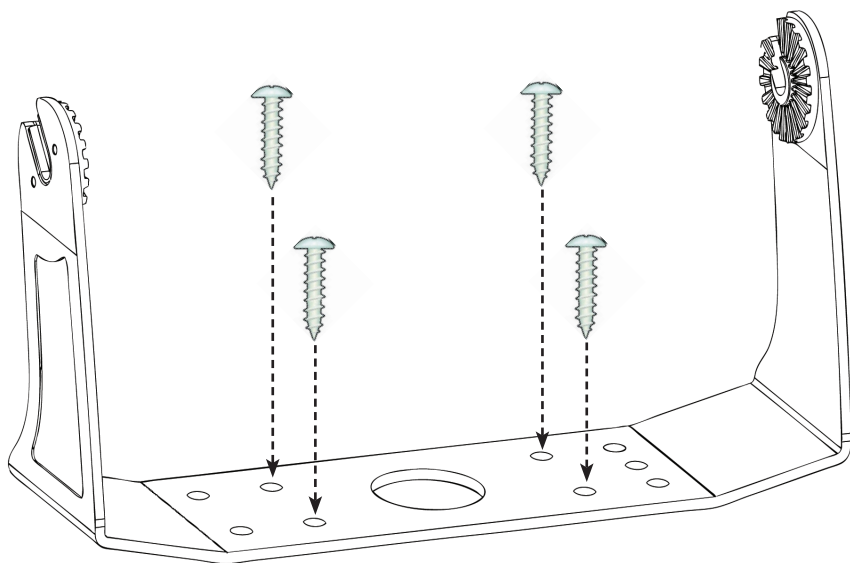


GPS,

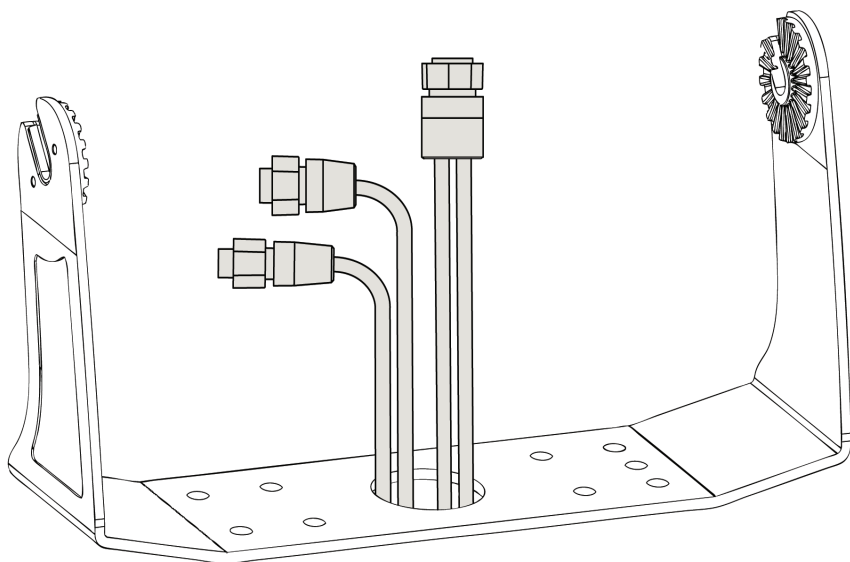


2. 1- (25.4- )



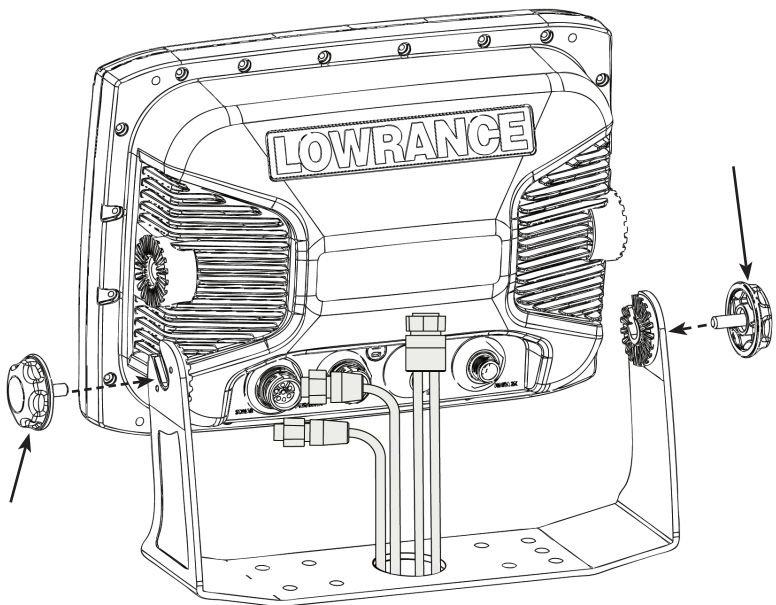


3.

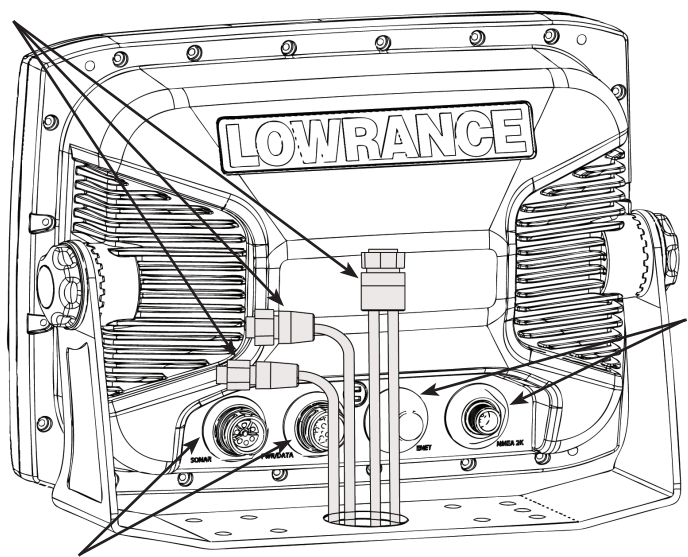


4.

1-

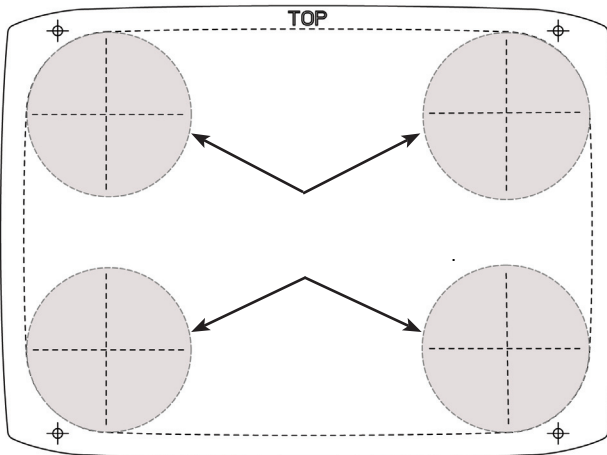
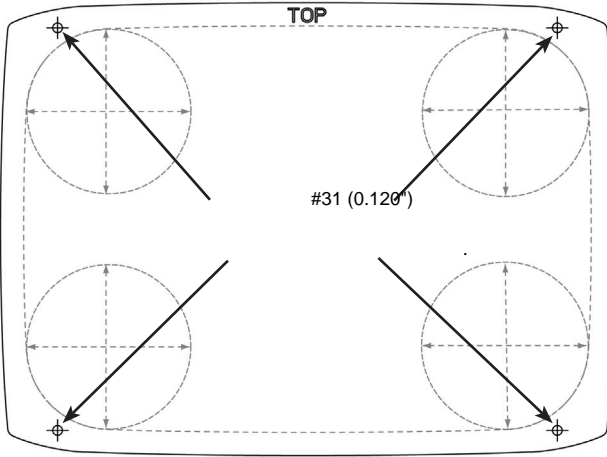


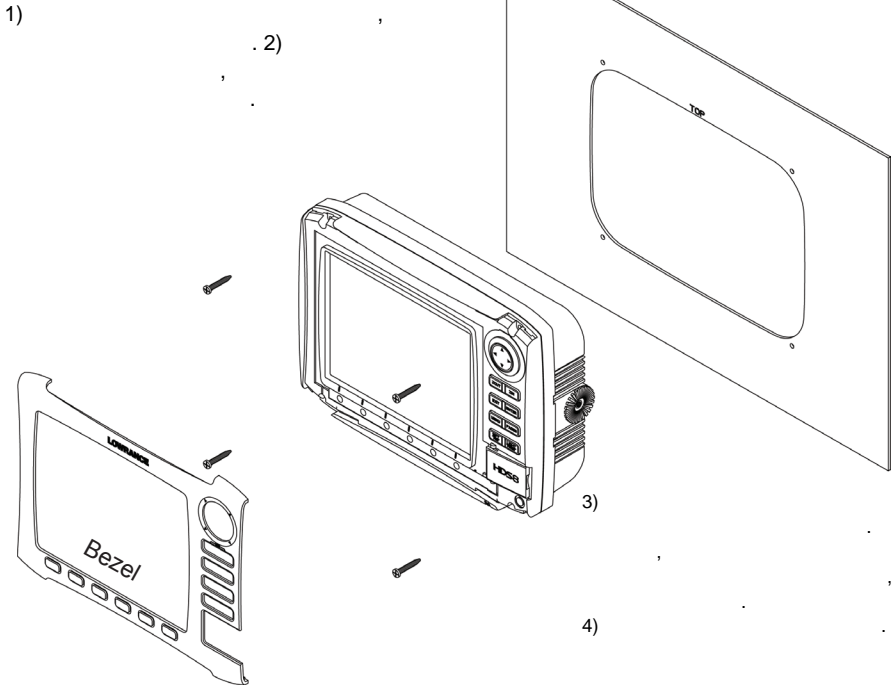
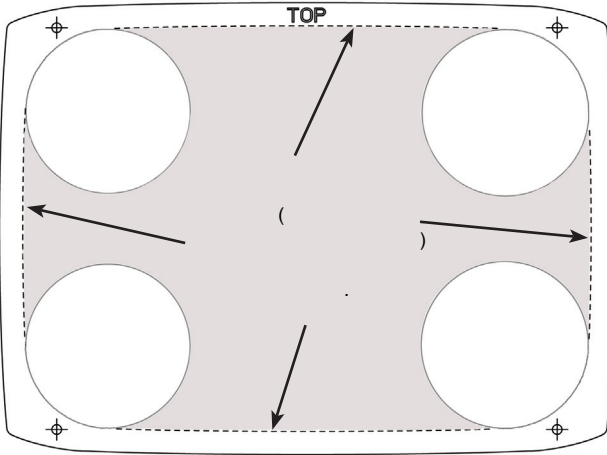
4.



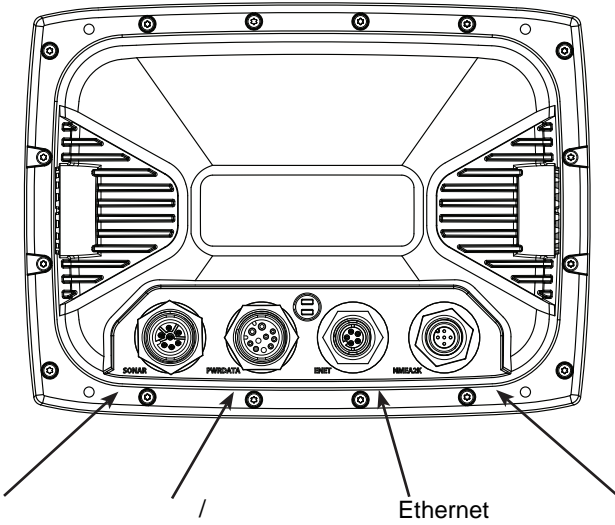
5.

#6 - 20 X 1-1/2"

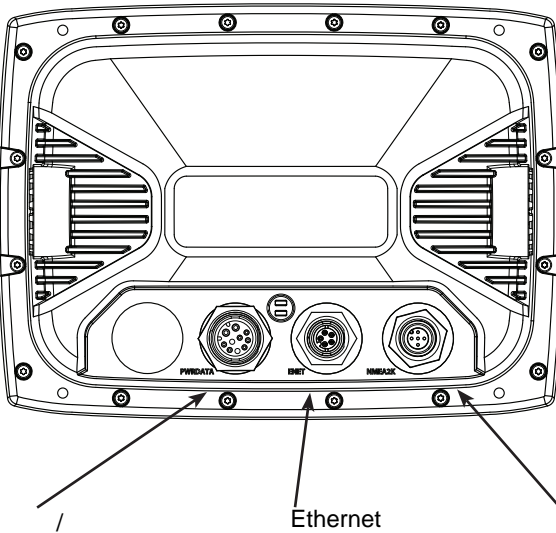


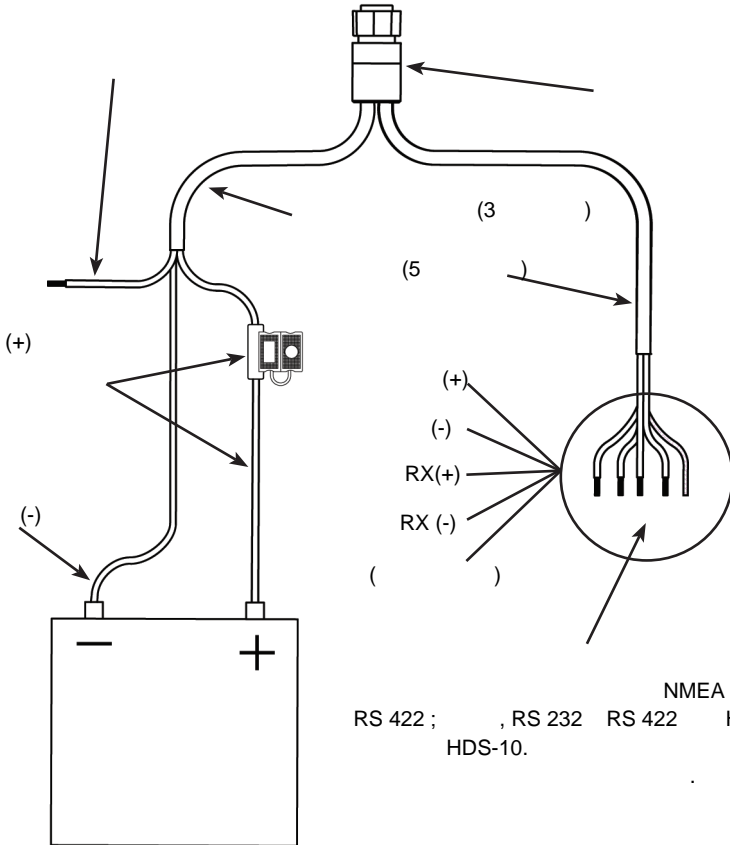
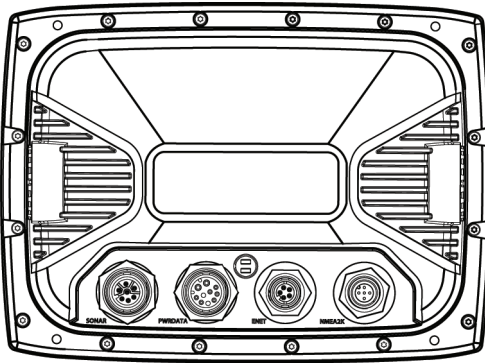


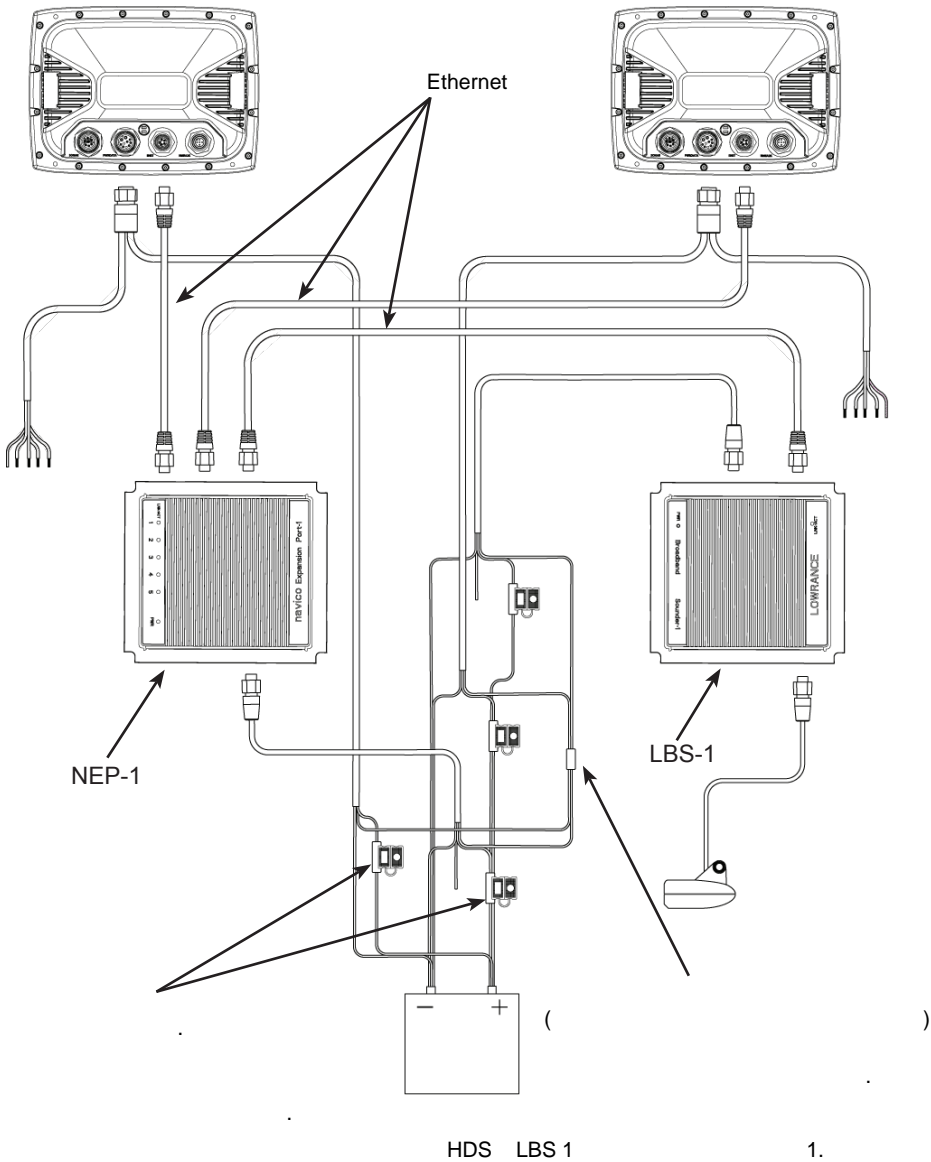
/GPS



GPS







NMEA 0183 ( )

NMEA0183 ,  
2.0 (RS 422) NMEA 0183.

HDS-8 HDS-10

(Com 1)  
RS 232

(Com 1 Com 2)

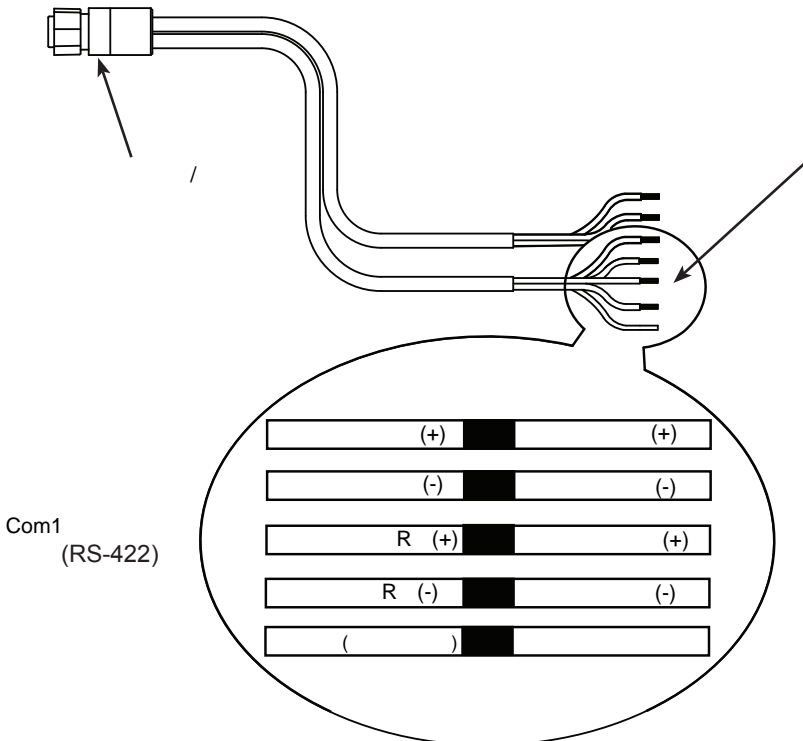
NMEA.

NMEA.

( / )

\* Com 1 (RS 422)

( )





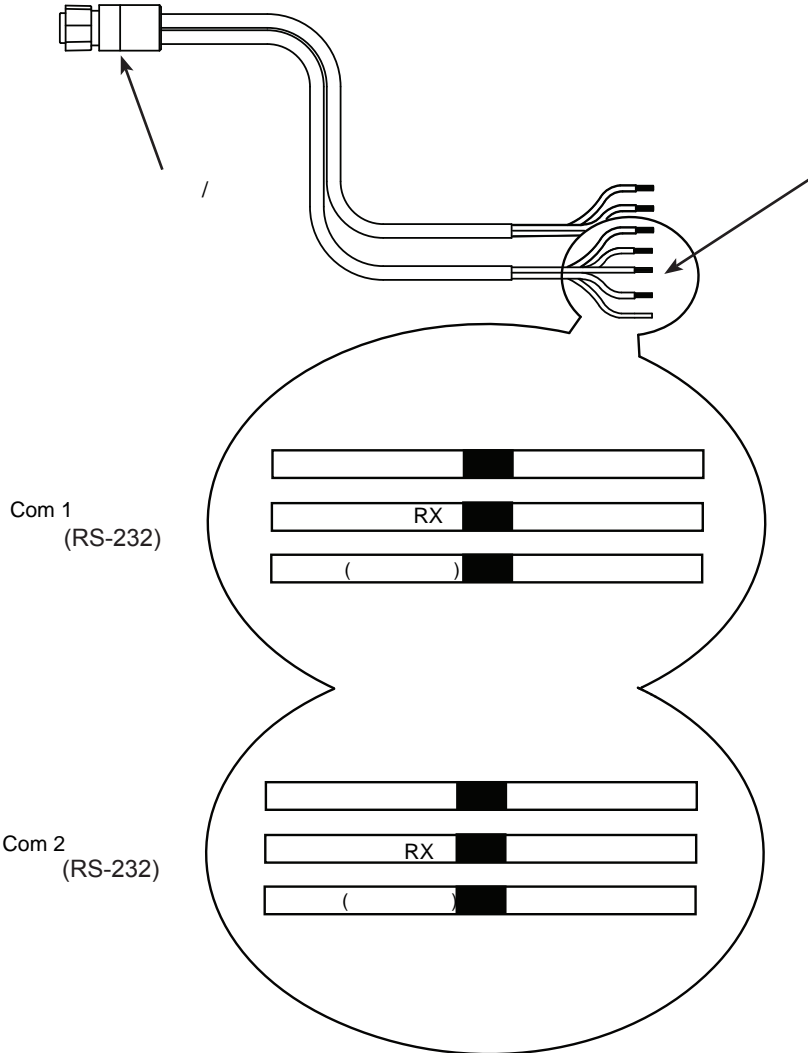
NMEA 0183 ( )

\* Com 1 (RS-232)

( )

\* Com 1 (RS-232)

( )



NMEA 0183 ( )

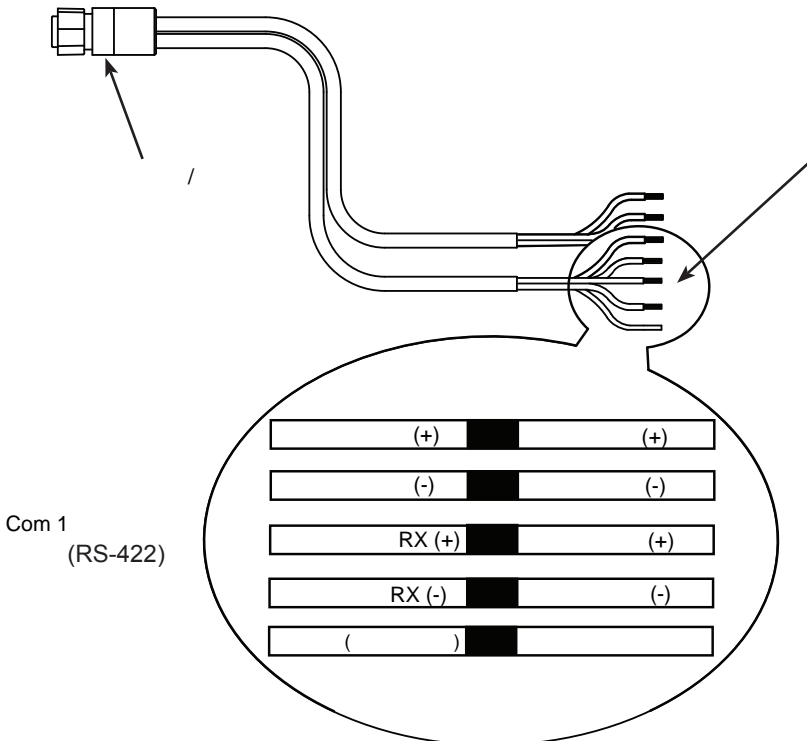
NMEA 0183 ,  
2.0 (RS 422) NMEA 0183.

HDS-5 HDS-7

(Com 1)

NMEA.

\* Com 1 (RS 422)





:

***www.lowrance.com***



© Copyright 2008  
All Rights Reserved  
Navico Holding AS